

This document is exclusive MARECO LUCE s.r.l., is strictly prohibited disclosure or reproduction, even partial, as well the use of without written consent of MARECO LUCE s.r.l..The company reserves the right to change models, dimensions and materials at any time without notice.

## PRODUCT DATA SHEET

### Atria

**Code : 1084101N**

#### PRODUCT FAMILY

Outdoor residential luminaire suitable for upright installation on poles Ø60mm on top (IP65).

#### MATERIAL CHARACTERISTICS

-PC (polycarbonate) housing and top cover, in black, grey metallic RAL 9006, rust, anthracite RAL7016, coloured granule.  
 -Screw-neck diffuser in translucent PMMA (acrylic) with brushed effect, connected to the lamp-holder compartment via a black PC (polycarbonate) joint, and sealed with pure neutral silicone anti-mold with low elastic modulus for an excellent resistance to aging, weathering, and UV rays.

- Lamp-holder compartment in black PC (polycarbonate).
- Fixing spring in harmonic steel AISI 301.
- Silicone gasket.
- A2 stainless steel screws.

Mechanical properties of silicone, polymerized 7 days at 22°C and 50% relative humidity:

- Hardness, Shore A37
- Tensile strength MPa 2,5
- Elongation at break %680

#### COLOUR

- Black.
- Rust.
- Grey metallic RAL 9006.
- Anthracite RAL 7016.

#### LIGHTING CHARACTERISTICS

- Light source in fixed position.
- Round symmetrical light throw.

#### WIRING CHARACTERISTICS

- Lamp connection E27 for led lamp 10Wmax., tension 250V max.
- Max. lamp size allowed: Ø60xL110 mm.
- Equipped with PG9 plastic cable gland with osmotic valve for air leakage (because it limits overpressure), and humidity.
- Connection to the mains via cable H05RN-F 2x0,75 sq.mm. (35cm included).

#### INSTALLATION AND ORDINARY MAINTENANCE CHARACTERISTICS

- Luminaire for direct installation on pole tops or brackets Ø60mm with maximum thickness 3mm.
- Fixing by expansion spring made of harmonic steel.
- Ordinary maintenance to be conducted by untightening the diffuser with screw neck.

#### DIMENSIONS

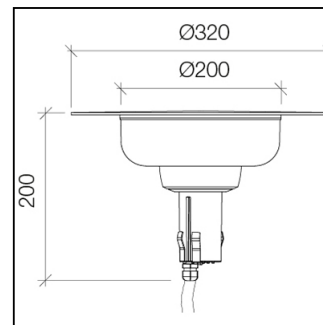
- Diffuser with round section.
- Ø320x200 mm.

- 5-year warranty.

Rev 01 - 09/03/2023

#### Details

- Conformity with EU Directives
- Double insulation/class II
- IK02
- IP 65



10W max E27



IP65

