

This document is exclusive MARECO LUCE s.r.l., is strictly prohibited disclosure or reproduction, even partial, as well the use of without written consent of MARECO LUCE s.r.l..The company reserves the right to change models, dimensions and materials at any time without notice.

## PRODUCT DATA SHEET

### Delux Indi

**Code : 1024184M**

#### PRODUCT FAMILY

- Outdoor residential Led square shaped complete with base for plinth/floor installation (IP65)

#### MATERIAL CHARACTERISTICS

- Top cover made of die-cast aluminium (ADC12) anodized and painted
- Housing made of extruded aluminium EN AW 6060 with thermal treatment, subjected to cleaning and degreasing treatment before anodizing and painting
- Painted ABS reflector
- PMMA (acrylic) lens with high transmittance
- Reinforced thermoplastic base in NY-FV30%
- Polyester powder coating with a pretreatment (Phosphochromating method) to ensure high protection against weathering
- Silicone gaskets
- Screws in stainless steel A2

#### COLOR

- Metallic grey RAL 9006
- Anthracite RAL 7016 textured
- Rust

#### LIGHTING CHARACTERISTICS

- Lighting source is in a fixed position
- Immediately ON at 100% of light flux
- Monochromatic LED module (1 Led)
- COB Citizen LED's circuit powered at 700mA
- 18° beam optics
- PCB in IMS thickness 1,6mm

#### WIRING CHARACTERISTICS

- M12 metallic cable gland
- LED's module 6,6W
- Built-in driver IP55 (700mA driver output)
- Connection to the main supply through a H05RN-F 2x0.75mmq pre-wired cable out of the luminaire

#### INSTALLATION AND ORDINARY MAINTENANCE CHARACTERISTICS

- Luminaire for direct installation on plinth/floor through some screws and expansion caps (not supplied)
- Preset for installation on a Ø60mm pole (Hmin 80mm - Hmax 150mm)
- Ordinary and extraordinary maintenance not necessary

#### DIMENSIONS

- 85x85x752mm
- Base 85x85

#### OPTIONAL ACCESSORIES TO BE ORDERED SEPARATELY:

- IP68 connector - COD.CS093000
- "T"-3 ways IP68 connector - COD.CS093001

#### TECHNICAL SPECS

- Led's consumption: 6.6W
- Luminaire consumption: 8.4W
- Power factor: >0.54
- Type of Led's: Citizen CLU701-0304C4
- Step MacAdam: 3
- Lifetime Led's: L90/B50>50Kh - Tc 105°C
- Warranty: 3 years

#### TECHNICAL SPECS 4000K

- Led's output: 904lm@tc25°C
- Luminaire output: 667lm@ta25°C
- Led's efficiency: 137lm/W
- Luminaire efficiency: 101lm/W

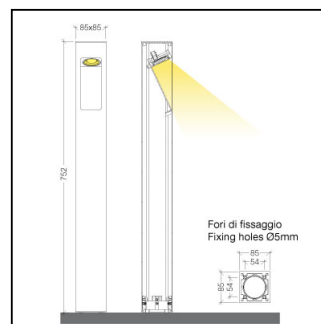
#### TECHNICAL SPECS 3000K

- Led's output: 878lm@tc25°C
- Luminaire output: 647lm@ta25°C
- Led's efficiency: 133lm/W
- Luminaire efficiency: 98lm/W

Rev. 1 - 05/03/20

#### Details

- Conformity with CEE directives
- Double insulation/class II
- IK05
- RG1
- CRI>80
- CLASS A+
- IP 65



90-264V 50/60Hz 8,4W



