

This document is exclusive MARECO LUCE s.r.l., is strictly prohibited disclosure or reproduction, even partial, as well the use of without written consent of MARECO LUCE s.r.l..The company reserves the right to change models, dimensions and materials at any time without notice.

## PRODUCT DATA SHEET

### Challenge basic pole top

Code : 1576282N

#### PRODUCT FAMILY

- Urban architectural LED (IP65), complete with adaptor for pole top mounting on Ø60mm poles

#### MATERIAL CHARACTERISTICS

- Extruded aluminium housing EN AW 6026, manufactured with numerical control machines and then anodized
- Black moulded in NY-FV30% covering carter/housing
- 2mm thick hot-dip galvanized steel brackets 75µm UNI EN 1461
- Round pole top in hot-dipped galvanized steel S235JR UNI EN 10219, 75µm thick UNI EN 1461
- Polyester powder coating with a pretreatment (Phosphochromating method) to ensure high protection against weathering
- Silicone transparent optics
- Silicone gaskets
- A2 stainless steel screws

#### COLOUR

- Black textured

#### LIGHTING CHARACTERISTICS

- The light source can be tilted  $\pm 30^\circ$
- CUT-OFF luminaire conforming to all regional/local laws against light pollution
- Asymmetric optics: light flux projected with a "bat-wing" distribution, with opening of the light beam. Suitable for correct lighting of main and secondary roads
- Symmetric optics: allows for 360° light projection and is suitable for correct lighting of parks and parking areas
- Immediately ON at 100% of the light flux
- Luminaire conforms with local and international dark sky laws with emission 0.49cd/Klm for angles 90°, Rn 0.04% - 67.09%
- Visual LEDIL lenses in transparent optical grade silicon with precise light control and high efficiency

#### WIRING CHARACTERISTICS

- Led's Philips Fortimo SLM 1211G7
- Driver included
- Equipped with osmotic valve for leakage of air and humidity

#### INSTALLATION AND ORDINARY MAINTENANCE CHARACTERISTICS

- Luminaire for direct installation on Ø60mm poles
- Pre-wired with H07RN-F 2x1.5mmq cable (1mt) for the connection to the mains
- M20x1.5mm cable gland
- Ordinary maintenance (not necessary)
- Extraordinary maintenance by untightening 4 screws to access the wiring compartment in the reinforced thermoplastic carter

#### DIMENSIONS

- 376x128x165mm

#### OPTIONAL ACCESSORY (TO BE ORDERED SEPARATELY):

- Cod. CS160033 Surge protection kit
- When purchased the protection kit will be installed inside the luminaire
- Max impulse voltage UOC 10KV
- Voltage protection level L-N <1500V

#### TECHNICAL SPECS

- LED's type: Philips Fortimo SLM 1211G7
- Step MacAdam: 3
- Lifetime Led's: L80/B10 - 50Kh Tc 65°C
- Lifetime driver: 50Kh

- Power factor: 0.96
- Warranty: 3 years

#### TECHNICAL SPECS 4000K - 26.2W

- LED's output: 4465lm@tc25°C
- Luminaire output: 3694lm@ta25°C
- LED's efficiency: 192lm/W
- Luminaire efficiency: 141lm/W
- LED's consumption: 23.2W
- Luminaire consumption: 26.2W

#### TECHNICAL SPECS 3000K - 26.2W

- LED's output: 4229lm@tc25°C
- Luminaire output: 3500lm@ta25°C
- LED's efficiency: 183lm/W
- Luminaire efficiency: 133lm/W
- LED's consumption: 23.2W
- Luminaire consumption: 26.2W

#### TECHNICAL SPECS 4000K - 39.3W

- LED's output: 6485lm@tc25°C
- Luminaire output: 5303lm@ta25°C
- LED's efficiency: 181lm/W
- Luminaire efficiency: 135lm/W
- LED's consumption: 35.9W
- Luminaire consumption: 39.3W

#### TECHNICAL SPECS 3000K - 39.3W

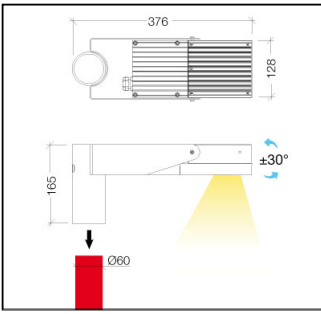
- LED's output: 6145lm@tc25°C
- Luminaire output: 5024lm@ta25°C
- LED's efficiency: 171lm/W
- Luminaire efficiency: 128lm/W
- LED's consumption: 35.9W
- Luminaire consumption: 39.3W

Rev 03-06/11/2019

#### Details

- Conformity with CEE directives
- Conforms to all regional/local laws against light pollution
- Double insulation/class II
- IK08
- RG1
- CRI>80
- CLASS A+
- IP 65





220-240V 50/60Hz 39,3W

