

This document is exclusive MARECO LUCE s.r.l., is strictly prohibited disclosure or reproduction, even partial, as well the use of without written consent of MARECO LUCE s.r.l..The company reserves the right to change models, dimensions and materials at any time without notice.

PRODUCT DATA SHEET

Barcelona Led Basic

Code : 1604084N

PRODUCT FAMILY

- Urban architectural LED luminaire, suitable for uplight installation on poles Ø60mm on top (IP65)

MATERIAL CHARACTERISTICS

- Hexagonally shaped base made of die-cast aluminium (ADC12) anodized and painted
- Diffuser in thick (3.5mm) transparent PMMA (acrylic), hexagonally shaped at base (connection to aluminium base) and circular at the top (connection to cover)
- Circular shaped top cover in NY-FV30% moulded with "micro-shot blasted" finish
- Cone covering gear tray in black, NY-FV30%
- Heat sink frame for in solid, black anodised aluminium
- Polyester powder coating with a pretreatment (Phosphochromating method) to ensure high protection against weathering
- Silicone gaskets
- A2 stainless steel screws

COLOUR

- Black textured

LIGHTING CHARACTERISTICS

- LED's lighting source in fixed position
- Immediately ON at 100% of the light flux
- Monochromatic LED module (50 Led's)
- Led's Samsung LM561B
- Round symmetrical light throw

WIRING CHARACTERISTICS

- LED's module 21.7W
- n°50 Led's Samsung LM561B
- Built-in driver (700mA driver output)
- Wiring includes a round covering cone for driver recovery made of highly resistant PC (polycarbonate)
- Easily extractable gear tray made from NY-FV30% connected to terminal with automatic connection

INSTALLATION AND ORDINARY MAINTENANCE CHARACTERISTICS

- Luminaire for direct installation on pole tops Ø60mm
- Pre-wired with H05RN-F 2x1.5mmq cable (50cm) for the connection to the mains
- Fixing to pole using n.3 screws, n.1 of which is a through bolt (safety)
- Ordinary maintenance by loosening n.1 screw placed at the top of the cover in order to access the optical compartment

DIMENSIONS

- Conically shaped fixture with hexagonal-circular sections
- Ø515x505mm

OPTIONAL ACCESSORY (TO BE ORDERED SEPARATELY):

- Cod. CS160035 Surge protection kit
- When purchased the protection kit will be installed inside the luminaire
- Max impulse voltage UOC 10KV
- Voltage protection level L-N <1500V

TECHNICAL SPECS

- LED's type: Samsung LM561B
- Step MacAdam: 3
- Lifetime Led's: L80/B50 - 60Kh Tc 85°C
- Lifetime driver: 50Kh

- Power factor: 0.97
- Warranty: 3 years

TECHNICAL SPECS 4000K

- LED's output: 3315lm@tc25°C
- Luminaire output: 1847lm@ta25°C
- LED's efficiency: 153lm/W
- Luminaire efficiency: 75lm/W
- LED's consumption: 21.7W
- Luminaire consumption: 24.3W

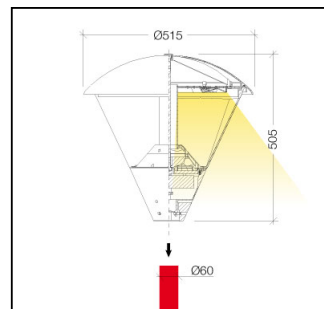
TECHNICAL SPECS 3000K

- LED's output: 3166lm@tc25°C
- Luminaire output: 1764lm@ta25°C
- LED's efficiency: 146lm/W
- Luminaire efficiency: 71lm/W
- LED's consumption: 21.7W
- Luminaire consumption: 24.3W

Rev 03-01/10/2021

Details

- Conformity with CEE directives
- Double insulation/class II
- IK08
- RG1
- CRI>80
- CLASS A+
- IP 65



220-240V 50/60Hz 24,3W						
CE	□	IK 08	RG 1	CRI ≥80	A+	IP65

