

This document is exclusive MARECO LUCE s.r.l., is strictly prohibited disclosure or reproduction, even partial, as well the use of without written consent of MARECO LUCE s.r.l. The company reserves the right to change models, dimensions and materials at any time without notice.

PRODUCT DATA SHEET

Sfera Ø400 Led IP65 Downlight

Code : 1113582T

PRODUCT FAMILY

Urban architectural LED luminaire with semi coated spherical diffuser for use with Ø60mm bracket, for downlight installation (IP65)

MATERIAL CHARACTERISTICS

- Spherical diffuser Ø400mm in PMMA (acrylic), internally with reflective aluminium and externally with opaque black paint, with bayonet neck
- Base in NY-FV30% with added elastomers, which increase mechanical strength and are self-extinguishing (Glow Wire 650°C)
- Wiring includes a round covering cone for driver recovery made of highly resistant PC (polycarbonate)
- A top cover and an antiglare louver made in NY-FV30% supports the LED's circuit
- Silicone gaskets
- A2 stainless steel screws

COLOUR

- Transparent/semi-covered

LIGHTING CHARACTERISTICS

- LED's lighting source in fixed position
- Immediately ON at 100% of light flux
- Monochromatic LED module (50 Led's)
- Led's Samsung LM561B
- Round symmetrical light throw

WIRING CHARACTERISTICS

- LED's module 15W
- Built-in driver (500mA driver output)
- n°50 Led's Samsung LM561B

INSTALLATION AND ORDINARY MAINTENANCE CHARACTERISTICS

- Luminaire for use with brackets Ø60mm on top
- To be installed by two expanders in reinforced thermoplastic that secure the luminaire to the pole or bracket from inside, by tightening the screws
- Ordinary maintenance by loosening the n.3 pins and turning the diffuser with bayonet neck
- Extraordinary maintenance can be conducted by removing the diffuser

DIMENSIONS

- Ø400x500mm

TECHNICAL SPECS

- LED's type: Samsung LM561B
- Step MacAdam: 3
- Lifetime Led's: L80/B50 - 60Kh Tc 85°C
- Lifetime driver: 50Kh
- Power factor: >0.95
- Warranty: 2 years

TECHNICAL SPECS 4000K

- LED's output: 2200lm@tc25°C
- Luminaire output: 1989lm@ta25°C
- LED's efficiency: 147lm/W
- Luminaire efficiency: 67lm/W
- LED's consumption: 15W
- Luminaire consumption: 16.8W

TECHNICAL SPECS 3000K

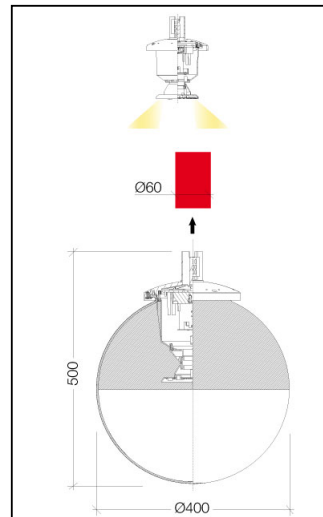
- LED's output: 2100lm@tc25°C
- Luminaire output: 1898lm@ta25°C

- LED's efficiency: 140lm/W
- Luminaire efficiency: 64lm/W
- LED's consumption: 15W
- Luminaire consumption: 16.8W

Rev 02-30/10/2019

Details

- Conformity with CEE directives
- Double insulation/class II
- IK08
- RG1
- CRI>80
- CLASS A+
- IP 65



220-240V 50/60Hz 16,8W						
CE		IK 08	RG 1	CRI >80	A+	IP65

