

This document is exclusive MARECO LUCE s.r.l., is strictly prohibited disclosure or reproduction, even partial, as well the use of without written consent of MARECO LUCE s.r.l..The company reserves the right to change models, dimensions and materials at any time without notice.

PRODUCT DATA SHEET

Sfera Ø400 Led IP44 Reflex

Code : 1010582T

PRODUCT FAMILY

- Urban architectural LED luminaire, with spherical diffuser, suitable for uplight installation on poles or brackets Ø60mm on top (IP65)

MATERIAL CHARACTERISTICS

- Spherical diffuser Ø400mm in PMMA (acrylic), internally with reflective aluminium and externally with opaque black paint, with bayonet neck
 - Base made of self extinguishing V2 PC (polycarbonate)
 - Wiring includes a round covering cone for driver recovery made of highly resistant PC (polycarbonate)
 - A top cover and an antiglare louver made in NY-FV30% supports the LED's circuit
 - Silicone gaskets
 - A2 stainless steel screws

COLOUR

- Transparent/semi-covered

LIGHTING CHARACTERISTICS

- LED's lighting source in fixed position
 - Immediately ON at 100% of light flux
 - Monochromatic LED module (50 Led's)
 - Led's Samsung LM561B
 - Round symmetrical light throw

WIRING CHARACTERISTICS

- LED's module 15W
 - Built-in driver (500mA driver output)
 - n°50 Led's Samsung LM561B

INSTALLATION AND ORDINARY MAINTENANCE CHARACTERISTICS

- Luminaire for use with poles or brackets Ø60mm on top, to be mounted through a dowel (included)
 - Self-adjusting cord block for cable max Ø10mm
 - Ordinary maintenance not necessary
 - Extraordinary maintenance can be conducted by removing the diffuser

DIMENSIONS

- Ø400x403mm

TECHNICAL SPECS

- LED's type: Samsung LM561B
- Step MacAdam: 3
- Lifetime Led's: L80/B50 - 60Kh Tc 85°C
- Lifetime driver: 50Kh
- Power factor: >0.95
- Warranty: 2 years

TECHNICAL SPECS 4000K

- LED's output: 2200lm@tc25°C
- Luminaire output: 1126lm@ta25°C
- LED's efficiency: 147lm/W
- Luminaire efficiency: 67lm/W
- LED's consumption: 15W
- Luminaire consumption: 16.8W

TECHNICAL SPECS 3000K

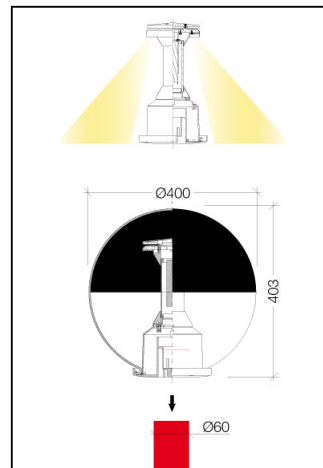
- LED's output: 2100lm@tc25°C
- Luminaire output: 1075lm@ta25°C
- LED's efficiency: 140lm/W

- Luminaire efficiency: 64lm/W
- LED's consumption: 15W
- Luminaire consumption: 16.8W

Rev 02-30/10/2019

Details

- Conformity with CEE directives
- Double insulation/class II
- IK08
- RG1
- CRI>80
- CLASS A+
- IP 44



220-240V 50/60Hz 16,8W

CE □ IK08 RG1 CRI ≥80 A+ IP44

