

This document is exclusive MARECO LUCE s.r.l., is strictly prohibited disclosure or reproduction, even partial, as well the use of without written consent of MARECO LUCE s.r.l..The company reserves the right to change models, dimensions and materials at any time without notice.

PRODUCT DATA SHEET

Sfera 400 Led IP44

Code : 1080582T

PRODUCT FAMILY

Urban architectural LED (IP44) with spherical diffuser for use with Ø60mm pole top or bracket, for uplight installation.

MATERIAL CHARACTERISTICS

Spherical diffuser, in PMMA with a diameter of Ø400mm.
 Base in self-extinguishing polycarbonate.

WIRING CHARACTERISTICS

Wiring includes a round covering cone for driver recovery made of highly resistant polycarbonate. A covering cap and an antiglare louver made of highly resistant polycarbonate supports the LED circuit.

LIGHTING CHARACTERISTICS

Fix LED light source with symmetric throw.
 Self-dissipating round LED circuit, 50 LEDs
 4000K (NW) 15W 2200lm with ballast included (220-240V 50/60Hz)
 3000K (WW) 15W 2100lm with ballast included (220-240V 50/60Hz)

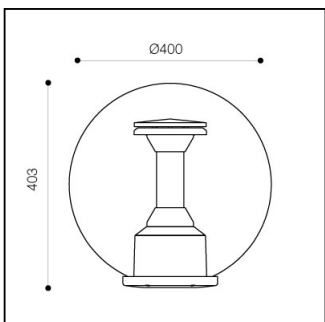
INSTALLATION AND ORDINARY MAINTENANCE CHARACTERISTICS


Fixture for Ø60mm pole top installation through one dowel (included)
 Self-adjusting cord block for cable max Ø10mm
 Ordinary maintenance not necessary
 Emergency maintenance by removing the diffuser.

Rev 03-30/08/2017

Details

- Conformity with CEE directives
- Double insulation/class II
- IP 44



220-240V 50/60Hz 15W		
CE		IP44

