



This document is exclusive MARECO LUCE s.r.l., is strictly prohibited disclosure or reproduction, even partial, as well the use of without written consent of MARECO LUCE s.r.l..The company reserves the right to change models, dimensions and materials at any time without notice.

## PRODUCT DATA SHEET

### Deva

**Code : 0502684S**

#### PRODUCT FAMILY

- Urban architectural LED luminaire for use with Deva pole top, Deva wall system, Deva pole top system or Deva system (IP55)

#### MATERIAL CHARACTERISTICS

- Body made of die-cast aluminum (ADC12) anodized and painted
- Adjustable swivel joint for inclination/rotation made of die-cast aluminum (ADC12) anodized and painted
- Diffuser in thick transparent PMMA (acrylic)
- Heat sink frame for in solid, anodised aluminium
- Polyester powder coating with a pretreatment (Phosphochromating method) to ensure high protection against weathering
- Silicone gaskets
- A2 stainless steel screws

#### COLOUR

- Anthracite RAL 7016 textured

#### LIGHTING CHARACTERISTICS

- LED's lighting source in fixed position
- Immediately ON at 100% of the light flux
- Monochromatic LED module (16 Led's)
- Led's CREE XPE2
- Asymmetrical light throw
- LEDIL lenses in highly transmittant PMMA designed especially for a unilateral/wide light throw

#### WIRING CHARACTERISTICS

- n°1 monochromatic LED's module with n°16 Led's CREE XPE2
- Built-in driver (700mA driver output)

#### INSTALLATION AND ORDINARY MAINTENANCE CHARACTERISTICS

- Luminaire for installation with Deva pole top, Deva wall system, Deva pole top system and Deva system
- Pre-wired with H05RN-F 3x1.5mmq cable (1mt) for the connection to the mains
- The adjustable swivel joint allows the luminaire to be inclined  $\pm 30^\circ$  and rotated  $\pm 180^\circ$  at intervals of  $22.5^\circ$
- Ordinary and extraordinary maintenance not necessary

#### DIMENSIONS

- 431x314x110mm

#### OPTIONAL ACCESSORY TO BE ORDERED SEPARATELY:

- Cod. CS160031 Surge protection kit
- When purchased the protection kit will be installed inside the luminaire
- Max impulse voltage UOC 10KV
- Voltage protection level L-N <1500V
- Voltage protection level L-PE <1500V

#### COMPULSORY POLES TO BE ORDERED SEPARATELY:

- Deva testapalo metallic grey RAL 9006 - 1 light - COD.3010130M
- Deva testapalo metallic grey RAL 9006 - 2 lights - COD.3010230M
- Deva testapalo anthracite RAL 7016 textured - 1 light - COD.3010130S
- Deva testapalo anthracite RAL 7016 textured - 2 lights - COD.3010230S
- Deva parete grigio metallizzato RAL 9006 - COD.3010010M
- Deva parete anthracite RAL 7016 textured - COD.3010010S
- Deva system testapalo metallic grey RAL 9006 - 1 light - COD.3010110M
- Deva system testapalo metallic grey RAL 9006 - 2 lights - COD.3010210M
- Deva system testapalo anthracite RAL 7016 textured - 1 light - COD.3010110S
- Deva system testapalo anthracite RAL 7016 textured - 2 lights - COD.3010210S

- Deva system H2600 metallic grey RAL 9006 - 1 light System A - COD.3011110M
- Deva system H2600 metallic grey RAL 9006 - 2 lights System A - COD.3011210M
- Deva system H3600 metallic grey RAL 9006 - 1 light System A - COD.3012110M
- Deva system H3600 metallic grey RAL 9006 - 2 lights System A - COD.3012210M
- Deva system H2100 metallic grey RAL 9006 - 1 light System B - COD.3016110M
- Deva system H2100 metallic grey RAL 9006 - 2 lights System B - COD.3016210M
- Deva system H3100 metallic grey RAL 9006 - 1 light System B - COD.3017110M
- Deva system H3100 metallic grey RAL 9006 - 2 lights System B - COD.3017210M
- Deva system H2600 anthracite RAL 7016 textured - 1 light System A - COD.3011110S
- Deva system H2600 anthracite RAL 7016 textured - 2 lights System A - COD.3011210S
- Deva system H3600 anthracite RAL 7016 textured - 1 light System A - COD.3012110S
- Deva system H3600 anthracite RAL 7016 textured - 2 lights System A - COD.3012210S
- Deva system H2100 anthracite RAL 7016 textured - 1 light System B - COD.3016110S
- Deva system H2100 anthracite RAL 7016 textured - 2 lights System B - COD.3016210S
- Deva system H3100 anthracite RAL 7016 textured - 1 light System B - COD.3017110S
- Deva system H3100 anthracite RAL 7016 textured - 2 lights System B - COD.3017210S

#### TECHNICAL SPECS

- LED's type: CREE XPE2
- Step MacAdam: 4
- Lifetime Led's: L80/B50 - 40Kh Tc 70°C
- Lifetime driver: 50Kh
- Power factor: 0.96
- Warranty: 2 years

#### TECHNICAL SPECS 4000K

- LED's output: 3472lm@tc25°C
- Luminaire output: 1785lm@ta25°C
- LED's efficiency: 102lm/W
- Luminaire efficiency: 48lm/W
- LED's consumption: 34W
- Luminaire consumption: 37.3W

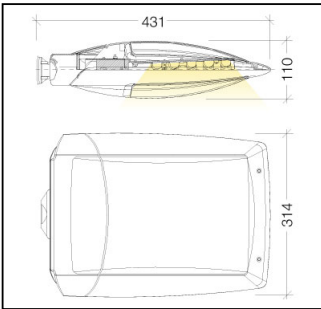
#### TECHNICAL SPECS 3000K

- LED's output: 3056lm@tc25°C
- Luminaire output: 1575lm@ta25°C
- LED's efficiency: 90lm/W
- Luminaire efficiency: 42lm/W
- LED's consumption: 34W
- Luminaire consumption: 37.3W

Rev 05-1/10/2021

Details

- Conformity with CEE directives
- CLASS I
- IK08
- RG0
- CRI>80
- CLASS A+
- IP 55



|                        |   |       |    |         |    |      |
|------------------------|---|-------|----|---------|----|------|
| 220-240V 50/60Hz 37,3W |   |       |    |         |    |      |
| CE                     | ⊕ | IK 08 | RG | CRI ≥80 | A+ | IP55 |

