

This document is exclusive MARECO LUCE s.r.l., is strictly prohibited disclosure or reproduction, even partial, as well the use of without written consent of MARECO LUCE s.r.l..The company reserves the right to change models, dimensions and materials at any time without notice.

PRODUCT DATA SHEET

Astra Circo Flat Diffuser

Code : 1850152M

PRODUCT FAMILY

Urban architectural with cut-off optics for use with Astra System or Astra Parete (wall fixing) (IP65)

MATERIAL CHARACTERISTICS

Frame in die-cast aluminium EN AB 46100 highly castable and flowable to prevent formation of air bubbles and allow the filling of castings with thin walls, treated by cleaning, degreasing and brushing.

Then phosphating with zinc salts followed by passivation with demineralized water and oven drying at 110°C

Thermosetting powder coating (based on carboxylated saturated polyester resins specifically selected for their high resistance to weathering) (hardener without TGIC) having pigments with high stability to light and heat

Thermo-polymerization at 200°C

Spherical cover (Circo) in thick polypropylene pre-painted with bonding primer and painted with matte bi-component polyurethane enamel (hydroxylated resin-based, and modified for high elasticity and adhesion), formulated in order to achieve maximum strength and exceptional exterior hardness. The cover is fitted with a hinged opening made of AISI 316L

The characteristics of the materials used makes the device particularly resistant to impact and use in highly saline and hostile environments

Locking handle in painted NYLON-FIBREGLASS20%

Diffuser in flat, tempered glass, 4mm thickness.

Colour: Anthracite

Gaskets in silicone

Screws in stainless steel A2

LIGHTING CHARACTERISTICS

Reflector made from thermo-setting resin (BMC) aluminium vacuum coated and polished to obtain strong lighting efficiency and to guarantee, at comparable installed power, maximum distances between the fittings and therefore a greater initial price competitiveness as well as safe and easy maintenance.

Asymmetrical optics allow a distribution of the light beam in a "bat wing" pattern, ideal for good quality lighting of main or secondary roads

Fixture conforms with local and international dark sky laws

Lamp is in a fixed position

WIRING CHARACTERISTICS

Gear tray made from thermo-setting resin (BMC) in white colour

Ferromagnetic ballast

INSTALLATION AND ORDINARY MAINTENANCE CHARACTERISTICS

Fixture for horizontal installation on a bracket, fixed with 8 screws

Cable clamp on gear tray, Ø15mm max

Cut-out safety switch removing all electrical current to fitting when opening spherical cover

Tool-free ordinary maintenance by opening locking handle and lifting hinged spherical cover.

Reflector (hinged) then removable by simply rotating the knobs and lifting.

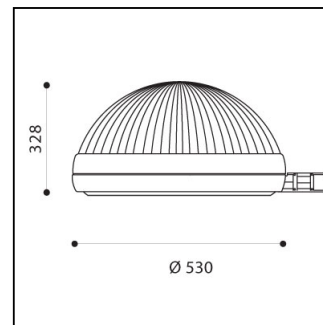
Manual safety block for the spherical cover while open by shifting it to the left in order to block the hinge.

MEASUREMENT CHARACTERISTICS

Spherical fixture with a diameter of 530mm and a height of 273mm with attachment for connection to a bracket, includes screws.

Details

- Conformity with CEE directives
- Double insulation/class II
- Mounting on normal flammable surface
- Against lighting pollution
- Resistant to atmospheric agents
- Shock-proof
- Inalterable to ultraviolet radiations
- Conforms to all regional/local laws against light pollution
- IP 65



230V 50Hz 70W E27

