

WARNING

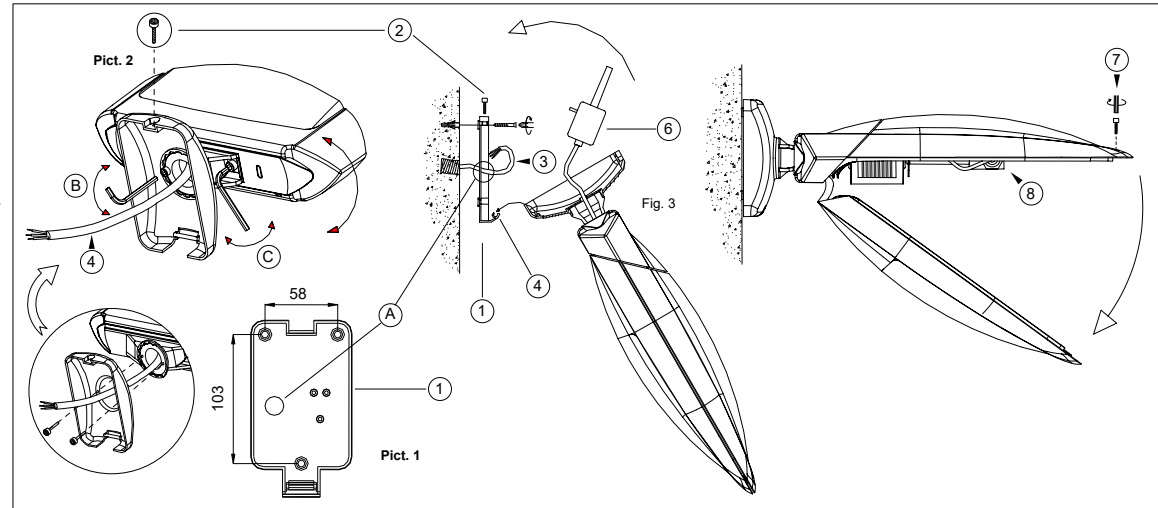
- THE FITTING MUST BE INSTALLED BY A PROFESSIONAL INSTALLER
- THE SAFETY OF THIS PRODUCT IS GUARANTEED ONLY WITH THE APPROPRIATE USE OF THE INSTALLATION INSTRUCTIONS, WHICH MUST BE PRESERVED.
- SWITCH OFF THE ELECTRICITY BEFORE MAKING ANY KIND OF MAINTENANCE.

ASSEMBLY INSTRUCTIONS DEVA WALL FIXING 60

- 1) REMOVE THE WALL FIXING FLANGE (1) FROM THE FITTING BY UNTIGHTENING THE SCREW (2). INSERT THE SUPPLY CABLE (3) THROUGH THE HOLE (A) AND FIX THE WALL FIXING FLANGE TO THE MOUNTING SURFACE THROUGH THE EXPANDING CAPS (NOT INCLUDED).
- 2) LEAN THE COMPLETE FITTING TO THE WALL FLANGE (1) AND FIX IT TO THE HINGE (4).
- 3) OPEN THE TERMINAL BLOCK (6) AND INSERT THE SUPPLY CABLE (3) AND (4) THROUGH THE CABLE GLAND. THEN CONNECT EACH CABLE TO THE TERMINALS, CONNECT THE EARTH CABLE TOO AND CLOSE THE COVER.
- 4) ADJUST THE INCLINATION AND ROTATION OF THE FITTING AS PER PICT. 2 (B) AND (C)
- 5) CLOSE THE WALL FIXING SYSTEM BY TIGHTENING THE SCREW (2).

FOR VERSIONS WITH LAMP ONLY

- 6) OPEN THE FITTING BY UNTIGHTENING THE SCREWS (7), INSERT THE LAMP/S (8) (NOT INCLUDED) AND THEN CLOSE THE FITTING BY TIGHTENING THE SCREWS (7).



ASSEMBLY INSTRUCTIONS DEVA SYSTEM POLE TOP AND DEVA SYSTEM 60

- 1) REMOVE THE BACK OF THE JOINT BY UNTIGHTENING THE SCREWS (1)
- 2) INSERT THE SUPPLY CABLE OF THE FITTING (2) INTO THE POLE TOP (4) PASSING THROUGH THE PRE-SET HOLE PLACED ON THE GASKET (3), AND MAKING IT COME OUT FROM THE BOTTOM OF THE POLE.
- 3) DISASSEMBLE THE TERMINAL BLOCK-HOLDER PLATE (5) FROM THE LOWER PART OF THE POLE TOP (4) AND CONNECT THE SUPPLY CABLE OF THE FITTING (2) TO THE TERMINAL BLOCK, PAYING ATTENTION TO TIGHTEN THE EARTH CABLE FROM THE CENTRAL SCREW OF THE TERMINAL.
- 4) REPOSITION THE TERMINAL BLOCK-HOLDER PLATE (5) INTO THE POLE TOP ADAPTER (4).
- 5) EXECUTE THE POSSIBLE INCLINATION AND ROTATION ADJUSTMENTS AS PER PICT.1 (B) AND (C).
- 6) POSITION THE FITTING ON THE POLE TOP (4) AND BLOCK IT THROUGH THE SCREWS (1). INSERT INTO THE POLE TOP THE POSSIBLE CABLE SURPLUS.
- 7) PULL OUT THE SUPPLY CABLE (6) FROM THE POLE, BLOCK IT TO THE CORD BLOCK PRE-SET ON THE TERMINAL BLOCK HOLDER-PLATE AND CONNECT EACH SINGLE SUPPLY CABLE TO THE TERMINAL BLOCK. TIGHTEN THE EARTH CABLE UNDER THE CENTRAL SCREW OF THE TERMINAL.
- 8) POSITION THE FITTING WITH THE ADAPTER (4) ON THE POLE TOP AND BLOCK IT THROUGH THE DOWELS (7). IT IS NOW POSSIBLE TO ADJUST THE ROTATION OF THE FITTING ON THE AXIS OF THE POLE TOP.

IFOR THE INSTALLATION OF THE DOUBLE FITTING YOU MUST FOLLOW THE SAME INSTRUCTIONS ABOVE MENTIONED. OPEN THE SECOND HOLE ON THE GASKET (3) IN ORDER TO INSERT THE SUPPLY CABLE. THE HOLE MUST BE WIDE ENOUGH TO CLING PERFECTLY TO THE CABLE IN ORDER TO KEEP THE IP RATE DECLARATION

FOR VERSIONS WITH LAMP ONLY

- 9) OPEN THE FITTING BY UNTIGHTENING THE SCREWS (8), INSERT THE LAMP/S (9) (NOT INCLUDED) AND THEN CLOSE THE FITTING BY TIGHTENING THE SCREWS (8).

