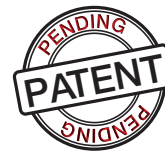


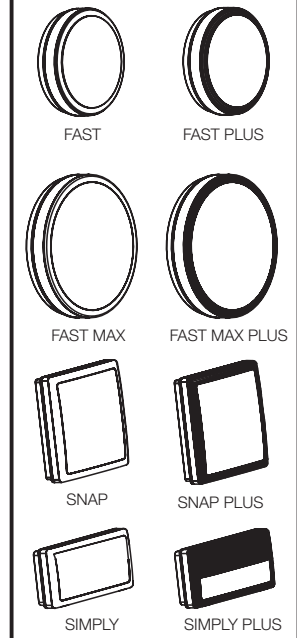
ASSEMBLY INSTRUCTIONS:

CLICK 4000.1000

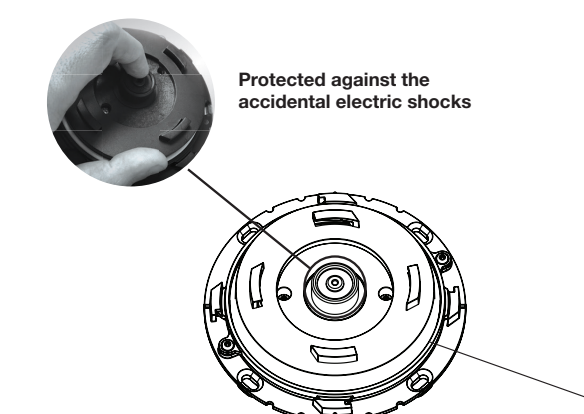
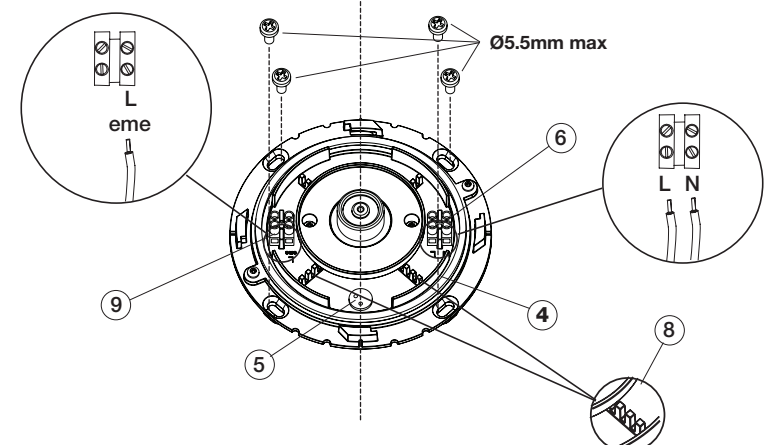
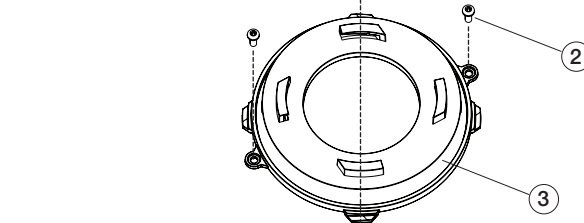
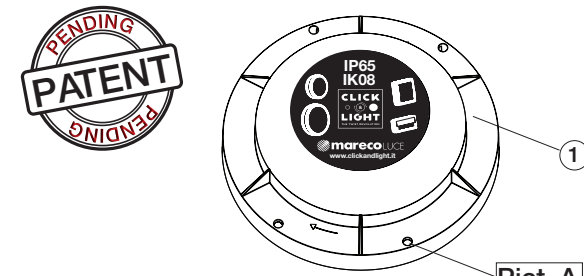
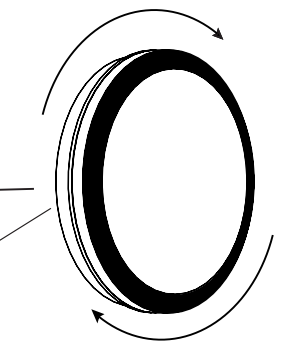
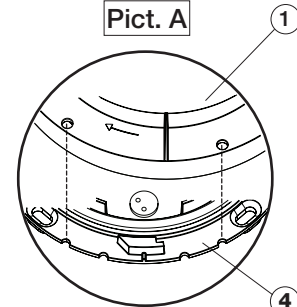
CE IP65



PICT. 2



Pict. A



WARNINGS:

- THE SAFETY OF THIS PRODUCT IS GUARANTEED ONLY WITH THE APPROPRIATE USE OF THESE INSTRUCTIONS WHICH MUST BE PRESERVED.
- SWITCH OFF THE ELECTRICITY BEFORE CONDUCTING ANY KIND OF MAINTENANCE.
- QUALIFIED PERSONNEL ONLY MUST DO THE INSTALLATION OF THE PRODUCT.
- THE EARTHING CABLE CANNOT BE INSERTED INTO THE LUMINAIRE.
- DO NOT CLEAN THE FIXTURE WITH HARSH CLEANERS.

CLICK: INSTALLATION INSTRUCTIONS:

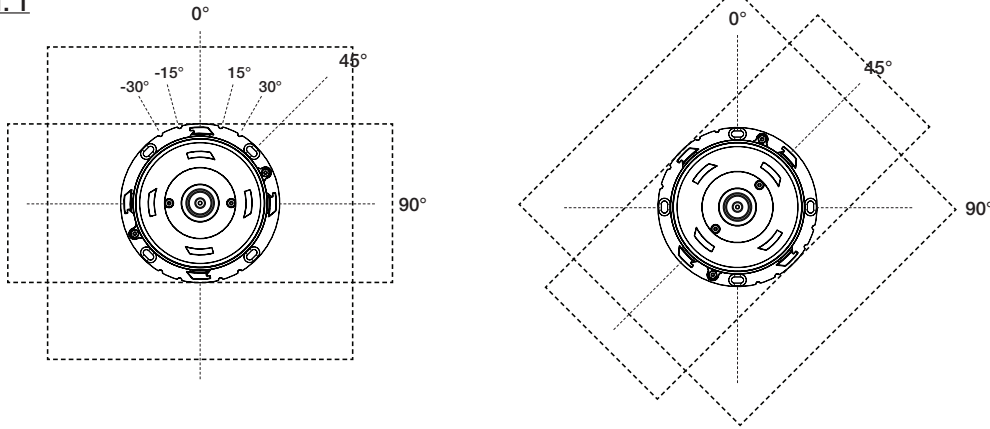
1. Remove Click (7) from the back of the ceiling lamp, by turning it anti-clockwise, in case it is provided along with the ceiling lamp. Otherwise, turn the protection cap anti-clockwise (1) and remove it.
2. Loosen the screws (2).
3. Turn the round frame (3) anti-clockwise, and remove it.
4. Insert each single cable into the holes of the grommet (5), and connect them to the terminal block (6) by fixing them to the proper seats (8).
5. For the emergency version, open the third hole of the grommet (5), insert the cable of the emergency-line and connect it to the terminal block (9) as shown in the drawing fixing it to the proper seat (8).

PAY ATTENTION: Do not remove the grommet (5) in order to preserve the IP rate of the fixture.

6. Look carefully at the reference notches (4), to install the square and rectangular ceiling lamps correctly (see PICT 1).

7. Fix the back part of Click (4) on the wall or to the ceiling, through some screws or expansions caps (not included).
8. Position the round frame (3) on the back part (4), and turn it clockwise until it stops, then tighten the screws (2).
9. Position the protection cap (1) on the Click (7) by matching the holes on the cap with the notches on the base (see PICT. A). Turn the cap clockwise until it stops in order to preserve the IP rate or position one of the ceiling lamps of the range "Click" (PICT. 2) on the round frame, and turn it clockwise until it stops.

PICT. 1



Protected against the accidental electric shocks

