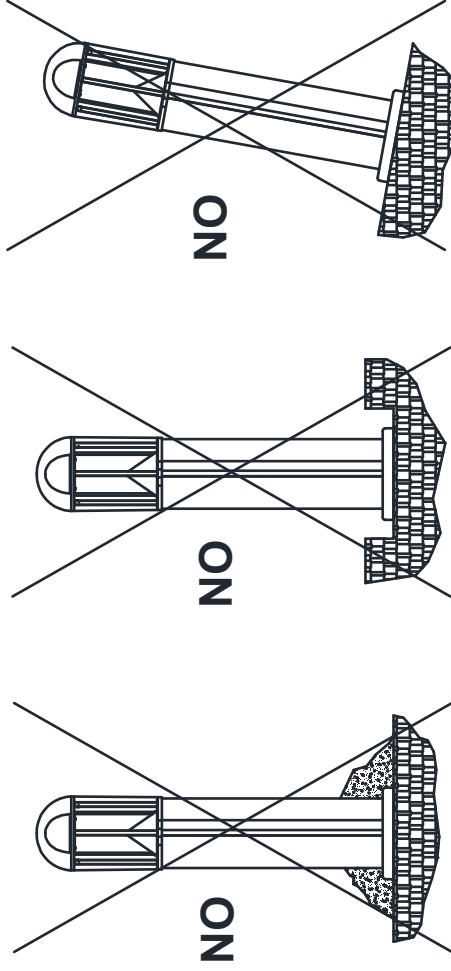


**IP55**   

**WARNINGS:**

- \* THE INSTALLATION AND THE MAINTENANCE OF THIS PRODUCT HAVE TO BE CONDUCTED BY A PROFESSIONAL INSTALLER.
- \* SAFETY IS GUARANTEED ONLY IF THE FOLLOWING INSTRUCTIONS ARE PROPERLY APPLIED. THEREFORE IT IS MANDATORY TO PRESERVE THIS SHEET.
- \* SWITCH OFF THE ELECTRICITY BEFORE MAKING ANY MAINTENANCE.
- \* ONLY OUTDOOR INSTALLATION IS ALLOWED.
- \* THE BASE AND THE OTHER PARTS OF THE PRODUCT CANNOT BE COVERED BY SOIL OR PUT IN CONTACT WITH AGGRESSIVE CHEMICAL SUBSTANCES (HERBICIDES, FERTILIZING, ETC..).
- \* DO NOT REST OBJECTS ON THE DIFFUSER, DO NOT COVER OR OBSCURE IT IN ANY WAY.
- \* CLEAN PERIODICALLY THE PARTS COVERED BY SOIL.
- \* USE ONLY SUPPLY CABLES WITH DOUBLE SHEATH, DO NOT USE SINGLE CABLES.
- \* USE ONLY FLEXIBLE CABLES (E.G. "HAR" TYPE), OR CABLES SUITABLE FOR OUTDOOR.
- \* IT IS ADVISABLE TO USE THE SILICONE GREASE ON THE THREADED PARTS OF THE CLOSING SCREWS, IN ORDER TO MAKE THE FURTHER MAINTENANCE EASIER.



**INSTALLATION INSTRUCTIONS:**

1. Untighten the cord block (3;4;5).
2. Insert the supply cable (6) into the cord block (3;5) and into the gaskets (7;8).

**PAY ATTENTION:** use a Ø5÷13 mm cable. If you use a cable of a diameter bigger than 9mm remove the inner gasket (7) placed into the cord block

3. Loosen the terminal (9) from the watertight compartment and connect the supply cable (6) paying attention to respect polarities
4. Close the watertight terminal block (2) by tightening the cord block tightly (3;4;5) and paying attention to position the gaskets (7;8) correctly.
5. Fix the bollard (1) to the mounting surface through some screws and expansion caps (not included).

