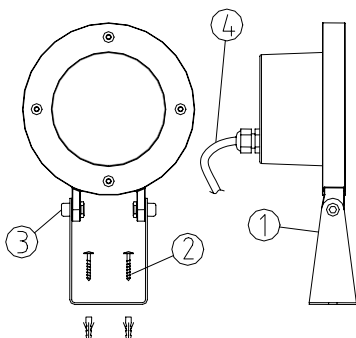


WARNINGS:

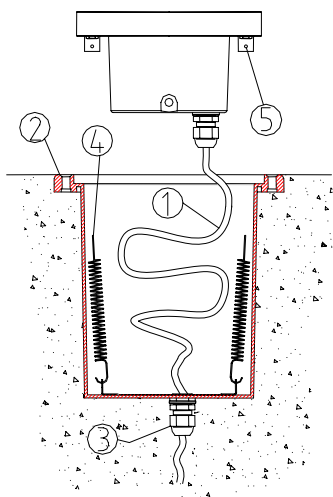
- * THE SAFETY OF THIS PRODUCT IS GUARANTEED ONLY WITH THE APPROPRIATE USE OF INSTALLATION INSTRUCTIONS WHICH MUST BE PRESERVED.
- * THE PRODUCT SHOULD BE INSTALLED BY SPECIALIZED PERSONNEL .
- * SWITCH OFF THE ELECTRICITY BEFORE STARTING ANY KIND OF MAINTENANCE
- * DO NOT SUBSTITUTE FEEDING CABLE PROVIDED, USE NEOPRENE CABLE Ø8÷13 MM
- * THE HSG 100W VERSION IS SUITABLE ONLY FOR UNDERWATER USE
- * SUPPLY TENSION 12V.
- * FOR UNDERWATER USE MAX DEPTH 4 MT

INSTRUCTIONS FOR INSTALLATION WITH FIXING SUPPORT:



1. Fix the support (1) with the screws and with the expansion caps (2)(not included).
2. Position the fitting as you like and tighten the screws (3).
3. Connect the cable (4) (5m included) to the remote ballast 12V.

ISTRUCTIONS FOR ISTALLATION WITH RECESSED BOX:



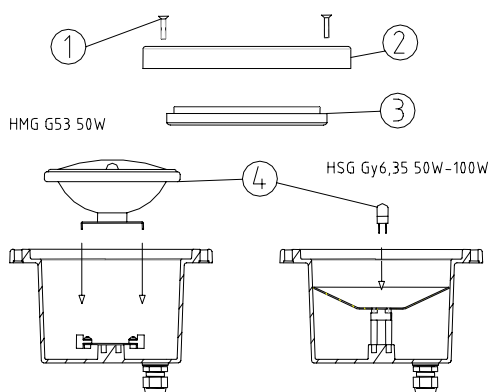
1. Insert the cable (1)(5m included) in the recessed box (2) through the cable tray (3).
2. Tighten the cable tray (3).
3. Recess the box (2) at wall or floor level.
4. Insert the end springs (4) in the hole on the angles (5).

ISTRUCTIONS FOR ISTALLATION FOR LED RGB VERSION:

1. Use the assembly instructions for the product to be installed
2. Connect the 6 wires cable to the controller (compulsory accessori not included) by following the instructions given with it.

PRODUCT	CONTROLLER DMX Code CS180017
Aquarius 1 LED RGB	Max 5 fittings

ISTRUCTIONS FOR REPLACEMENT OF THE LAMP:



1. Unscrew the screws (1).
2. Remove the ring (2) and the glass together with the gasket (3).
3. Replace the lamp (4).
4. Install the glass (3) paying attention to the correct position of the gasket.
5. Position the ring (2) and tighten the screws (1).