



**Use and maintenance instructions**  
**EDGE BOLLARD 90°/60°/180°**


Fixed general purpose luminaire, for installation on a concrete plinth  
 TECHNICAL DETAILS: please refer to the product label

 The UE declaration of conformity can be downloaded from our website [www.marecoluce.it](http://www.marecoluce.it)

 Insulation Class II

**IP65** Protection degree against dust ingress, solid particles, moisture

 This product must not be disposed as a normal household waste

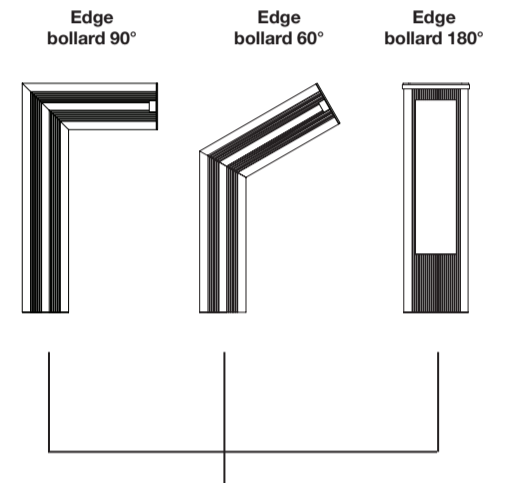
 Caution, risk of electrical shock. The lighting source of this luminaire must be replaced by the Manufacturer only

**WARNINGS:**

- THE SAFETY OF THIS PRODUCT IS GUARANTEED ONLY WITH THE RESPECT OF THE EXISTING RULES FOR THE ELECTRICAL SYSTEMS, AND WITH THE APPROPRIATE USE OF THESE INSTALLATION INSTRUCTIONS, THEREFORE IT IS NECESSARY TO KEEP THEM.
- THE IMPROPER USE OF THIS PRODUCT IS FORBIDDEN; ANY TAMPERING WITH THE PRODUCT OR MODIFICATION OF THE PRODUCT THAT IS NOT AUTHORIZED BY MARECO LUCE CAN CAUSE DAMAGE TO PEOPLE, ANIMALS OR THINGS, AND WILL VOID ANY WARRANTY OR LIABILITY.
- SWITCH OFF THE ELECTRICITY BEFORE CONDUCTING ANY KIND OF MAINTENANCE.
- THE PRODUCT MUST BE INSTALLED IN ACCORDANCE WITH BEST PRACTICE.
- THE LIGHTING SOURCE OF THIS LUMINAIRE MUST BE REPLACED BY THE MANUFACTURER ONLY.
- DAMAGED COMPONENTS MUST BE REPLACED WITH MARECOLUCE ORIGINAL SPARE PARTS.
- IT IS THE RESPONSIBILITY OF THE INSTALLER TO ENSURE THAT THE MOUNTING SURFACE IS SUITABLE FOR THE SEAL OF THE FLANGE.

**GENERAL MAINTENANCE RECOMMENDATIONS:**

- CLEAN THE LUMINAIRE PERIODICALLY TO REMOVE THE POSSIBLE DIRT DEPOSITS ON IT.
- DO NOT USE HARSH DETERGENTS TO CLEAN THE DIFFUSER.
- CHECK THE TIGHTENING OF THE SCREWS THAT SECURE THE FLANGE TO THE PLINTH.
- CHECK THE INTEGRITY OF THE FITTING COMPONENTS: REPLACE THEM IN CASE OF DAMAGE BY USING ONLY ORIGINAL MARECO LUCE PARTS.



**INSTALLATION INSTRUCTIONS: The long side of the flange corresponds to the road side (see Pict. A)**

1. Lift the protective cover (3), unscrew the screws (4) and remove the flange (1).
2. Fasten the flange (1) to the slots or holes using some screws and expansion plugs, (NOT INCLUDED).

**CAUTION:** Choose screws and expansion caps suitable for the type of installation that you are conducting.

3. Connect the luminaire to the mains throughout a watertight connection, and paying attention to respect both the polarities and the insulation class.
4. Insert the luminaire (2) into the flange (1), lift the protective cover (3) and secure the luminaire to the flange (1) by tightening the 4 screws (4) applying 5Nm.
5. Refit the protective cover (3).

**INSTALLATION INSTRUCTION USING THE COUNTER FLANGE KIT: The long side of the flange corresponds to the road side (see Pict. A)**

1. Make the concrete plinth and place the anchor bolts in it (5) (Pict.B).
2. Lift the protective cover (3), unscrew the screws (4) and remove the flange (1).

**CAUTION:** The dimensions of the plinth depend on the specific installation. The installer is fully responsible for the installation work.

3. Once the plinth has solidified, insert the flange (1), insert the washers (10) and screw the nuts (11) on the anchor bolts (5).
4. Connect the luminaire to the mains throughout a watertight connection, and paying attention to respect both the polarities and the insulation class.
5. Insert the luminaire (2) into the flange (1), lift the protective cover (3) and secure the luminaire to the flange (1) by tightening the 4 screws (4) applying 5Nm.
6. Refit the protective cover (3).

