

Use and maintenance instructions

Puk



Fixed general purpose luminaire.

TECHNICAL DETAILS: refer to the product label

CE The UE declaration of conformity can be downloaded from our website www.marecoluce.it

Insulation Class I

IP66 Protection degree against dust ingress, solid particles, moisture

This product must not be disposed as a normal household waste

Caution, risk of electrical shock. The lighting source of this luminaire must be replaced by the Manufacturer only

WARNINGS.

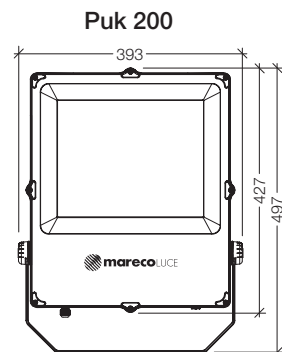
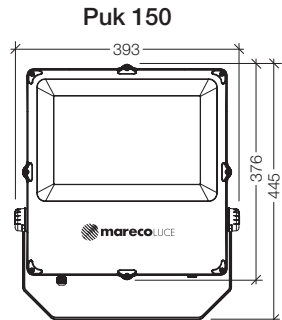
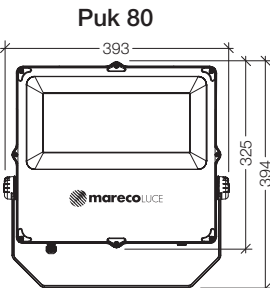
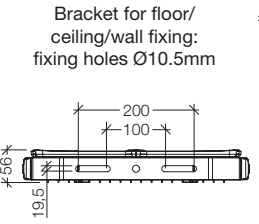
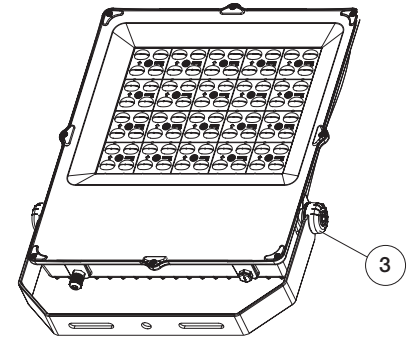
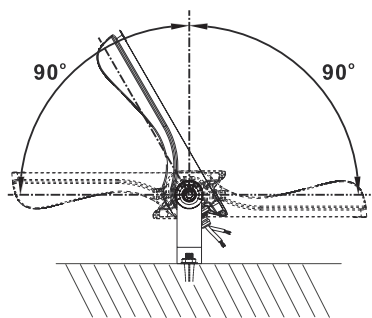
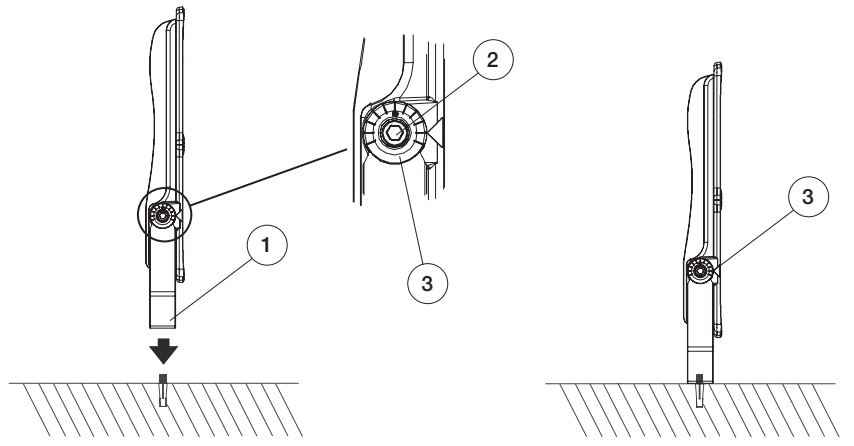
- THE SAFETY OF THIS PRODUCT IS GUARANTEED ONLY WITH THE RESPECT OF THE EXISTING RULES FOR THE ELECTRICAL SYSTEMS, AND WITH THE APPROPRIATE USE OF THESE INSTALLATION INSTRUCTIONS, THEREFORE IT IS NECESSARY TO KEEP THEM.
- THE IMPROPER USE OF THIS PRODUCT IS FORBIDDEN; ANY TAMPERING WITH THE PRODUCT OR MODIFICATION OF THE PRODUCT THAT IS NOT AUTHORIZED BY MARECO LUCE CAN CAUSE DAMAGE TO PEOPLE, ANIMALS OR THINGS, AND WILL VOID ANY WARRANTY OR LIABILITY.
- SWITCH OFF THE ELECTRICITY BEFORE CONDUCTING ANY KIND OF MAINTENANCE.
- THE PRODUCT MUST BE INSTALLED IN ACCORDANCE WITH BEST PRACTICE.
- DAMAGED COMPONENTS MUST BE REPLACED BEFORE PUTTING THE PRODUCT BACK INTO SERVICE WITH MARECOLUCE SPARE PARTS.
- THE LIGHTING SOURCE OF THIS LUMINAIRE MUST BE REPLACED BY THE MANUFACTURER ONLY.
- IT IS THE RESPONSIBILITY OF THE INSTALLER TO CHOOSE THE SUITABLE MOUNTING SURFACE AND THE SUITABLE FIXING TOOLS FOR THE BRACKET.
- AVOID DIRECT CONTACT OF THE PRODUCT WITH SOIL, IN CASE OF GROUND INSTALLATION PRESET A PLINTH IN CONCRETE.
- DO NOT INSTALL THE PRODUCT IN PLACES WHERE WATER MAY STAGNATE.
- PROTECT THE CABLE FROM DIRECT CONTACT WITH THE SOIL.

GENERAL MAINTENANCE RECOMMENDATIONS:

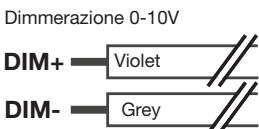
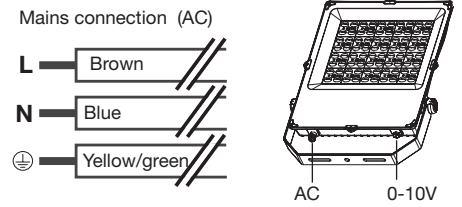
- CLEAN THE FITTING PERIODICALLY TO REMOVE POSSIBLE DIRT/GROUND DEPOSITS
- DO NOT USE HARSH DETERGENTS TO CLEAN THE DIFFUSER.
- CHECK THE TIGHTNESS OF THE SCREW SECURING THE FITTING.
- CHECK THE INTEGRITY OF THE FITTING COMPONENTS: REPLACE THEM IN CASE OF DAMAGE BY USING ONLY ORIGINAL MARECO LUCE PARTS.

INSTALLATION INSTRUCTIONS:

1. Secure the fixing bracket (1) to the mounting surface by using some screws and expansion plugs (NOT included). **CAUTION:** Choose some screws and expansions plugs suitable for the kind of installation that you are conducting.
2. Connect the power-supply cable by making a watertight connection paying attention to respect the polarities and the insulation class of the luminaire (see Pict. 1).
3. Adjust the inclination of the lighting part by loosening the screws (2), and once you have reached the desired inclination tighten the screws (2). In the joint (3) of the fixing bracket (1) there is a goniometer to help the adjustment. (Adjustment is possible in step of 5°)



Pic. 1



| Luminaire | Weight (Kg) | A (mm) | B (mm) |
|-----------|-------------|--------|--------|
| Puk 80 | 4.34 | 240 | |
| Puk 150 | 5.05 | 300 | 140 |
| Puk 200 | 5.6 | 350 | |