

Use and maintenance instructions

INDUS

Street lighting luminaire for installation on poles or brackets Ø60mm on top

TECHNICAL DETAILS: please refer to the product label

CE The EU declaration of conformity can be downloaded from our website www.marecoluce.it

IP66 Protection degree against dust ingress, solid particles, moisture

Insulation Class I

The lighting source of this luminaire must be replaced by the manufacturer only

This product must not be disposed as a normal household waste

ENEC 05 ENEC 05 certified luminaire

GENERAL MAINTENANCE RECOMMENDATIONS:

- CLEAN THE FITTING PERIODICALLY TO REMOVE POSSIBLE DIRT DEPOSITS ON THE LUMINAIRE.
- DO NOT USE HARSH DETERGENTS TO CLEAN THE DIFFUSER.
- CHECK THE TIGHTNESS OF THE SCREWS SECURING THE LUMINAIRE TO ITS SUPPORT.
- CHECK THE INTEGRITY OF THE COMPONENTS AND REPLACE THEM IN CASE OF ANY DAMAGE BY USING ORIGINAL MARECO LUCE SPARE PARTS.

WARNINGS:

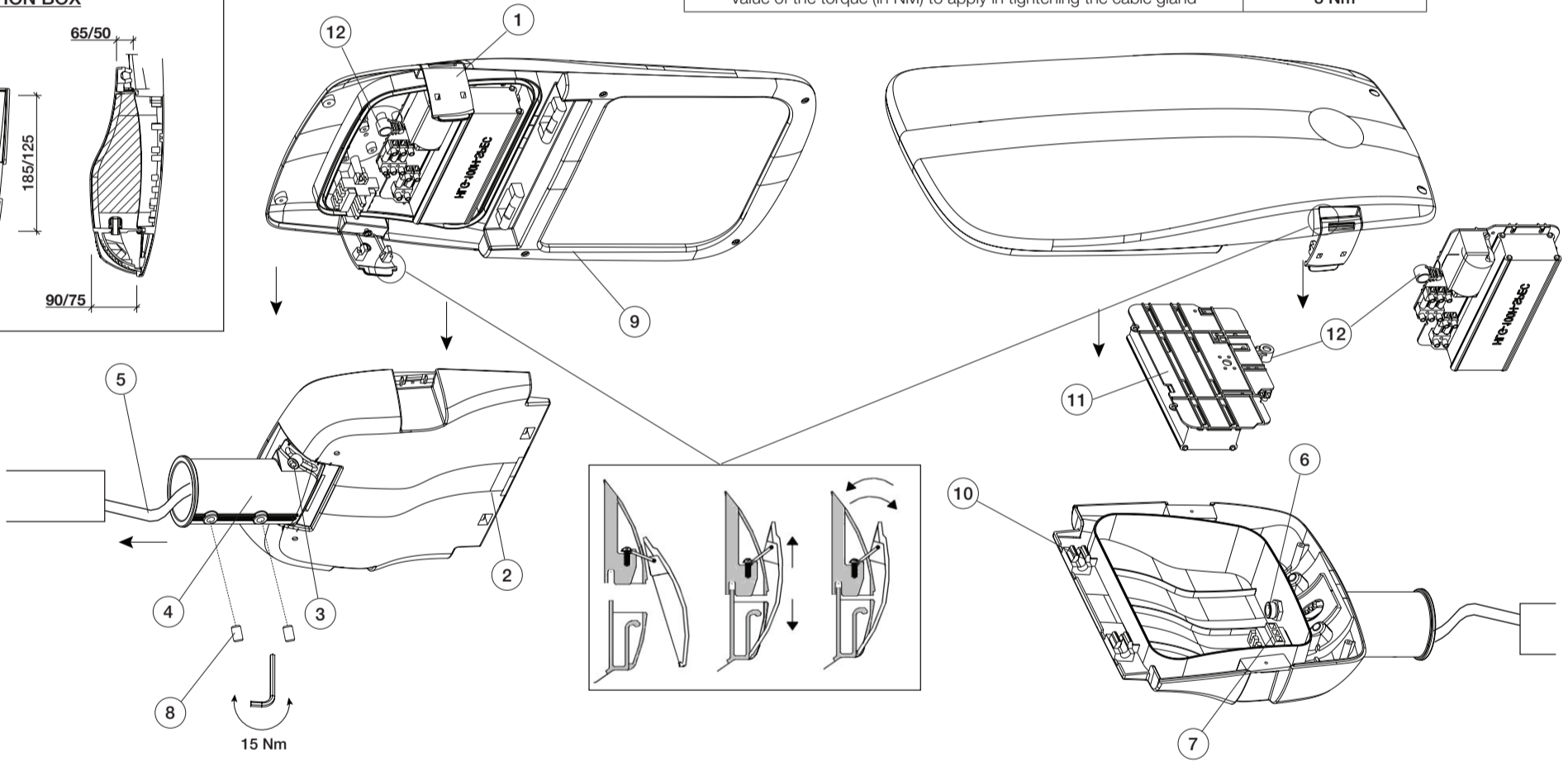
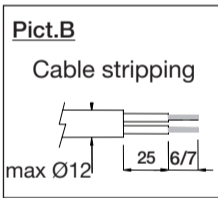
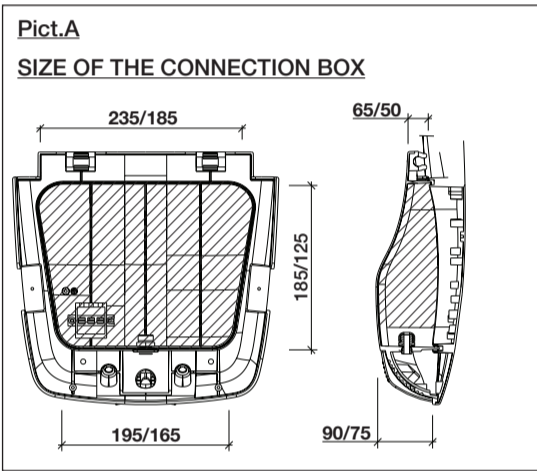
- THE SAFETY OF THIS PRODUCT IS GUARANTEED ONLY WITH THE RESPECT OF THE EXISTING RULES FOR THE ELECTRICAL SYSTEMS, AND WITH THE APPROPRIATE USE OF THESE INSTALLATION INSTRUCTIONS, THEREFORE IT IS NECESSARY TO KEEP THEM.
- THE IMPROPER USE OF THIS PRODUCT IS FORBIDDEN; ANY TAMPERING WITH THE PRODUCT OR MODIFICATION OF THE PRODUCT THAT IS NOT AUTHORIZED BY MARECO LUCE CAN CAUSE DAMAGE TO PEOPLE, ANIMALS OR THINGS, AND WILL VOID ANY WARRANTY OR LIABILITY.
- SWITCH OFF THE ELECTRICITY BEFORE CONDUCTING ANY KIND OF MAINTENANCE.
- THE PRODUCT MUST BE INSTALLED IN ACCORDANCE WITH BEST PRACTICE.
- THE LIGHTING SOURCE OF THIS LUMINAIRE MUST BE REPLACED BY THE MANUFACTURER ONLY
- DAMAGED COMPONENTS MUST BE REPLACED WITH MARECO LUCE ORIGINAL SPARE PARTS BEFORE REUSING THE PRODUCT.

Indus 34,2W-53,8W

The luminaire is suitable for indoor use	
The luminaire is suitable for pole mounting at a maximum recommended height of 8 meters	
Suitable for mounting	On pole and bracket
Luminaire weight	4,1 Kg
Maximum projected surface area subject to wind pressure	0,112 m²
Dimensions of the compartment housing the connection box (the box holding the connections)	Pict.A
Torque value (in Nm) to apply in tightening all bolts and screws securing the luminaire on its support	15 Nm
Power factor	>0,95
Value of the torque (in NM) to apply in tightening the cable gland	3 Nm

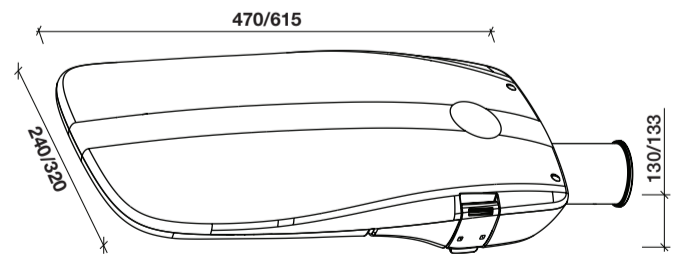
Indus 89,2W

The luminaire is suitable for indoor use	
The luminaire is suitable for pole mounting at a maximum recommended height of 15 meters	
Suitable for mounting	On pole and bracket
Luminaire weight	6,8 Kg
Maximum projected surface area subject to wind pressure	0,186 m²
Dimensions of the compartment housing the connection box (the box holding the connections)	Pict.A
Torque value (in Nm) to apply in tightening all bolts and screws securing the luminaire on its support	15 Nm
Power factor	>0,95
Value of the torque (in NM) to apply in tightening the cable gland	3 Nm



INSTALLATION INSTRUCTIONS:

1. Open the side clips (1) and remove the top of the base support (2).
2. Adjust the luminaire position according to the type of installation (see Pict.1 or Pict.2) by completely untightening the screws (3) securing the pole top adaptor (4) to the base support (2). Once you have set the angle the pole top adaptor (4), tighten the screws (3) strongly.
3. Insert the supply cable (5) through the cable gland (6), and connect it to the terminal of the disconnecting switch (7) by respecting the polarities and the luminaire's insulation class. **A CAUTION:** use only a flexible double insulation sheath (type HAR or suitable for outdoor use). The outer cable diameter must be between 9 and 12mm and the thickness of the inner electrical wires must range between 1 and 2.5mmq (see Pict.B).
4. If present, tighten the cable gland of the disconnecting switch (7) on the outer sheath of the power supply cable (5).
5. Tighten the cable gland (6).
6. Insert the base support (2) on the pole and tighten the dowels (8).
7. Place the whole LED wired tray (9), over the side hooks (10) of the base support (2), and close the side clips (1).



SUPPLEMENTARY MAINTENANCE TO REPLACE THE WIRING TRAY:

The luminaire Indus is equipped with a replaceable gear tray thanks to a tool free fast hooking system

1. Unhook the closing clips (1) and remove the base support (2).
2. Unfasten the wiring tray (11) by rotating the relevant lock (12).
3. Disconnect the quick release connectors out of the driver.
4. Replace the wiring tray (11), by connecting the drivers's quick release wires and pay attention to respect the colours and cable polarity.
5. Put back the lock (12) in the initial position in order to secure the wiring tray (11).
6. Place the whole LED wired tray (9), over the side hooks (10) of the base support (2), and close the side clips (1).

