

INSTALLATION INSTRUCTIONS FOR PLINTH MOUNTING:

1. Loosen the screws (1) and remove the base (2).
2. Fasten the base (2) to the plinth using some screws or expansion caps (not included) by applying 2,5 Nm.

PAY ATTENTION:

Choose screws and expansion caps suitable for the type of installation that you are conducting.

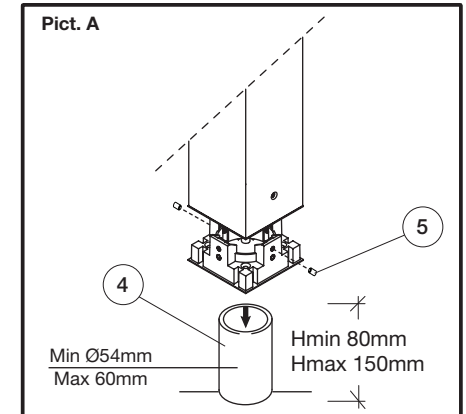
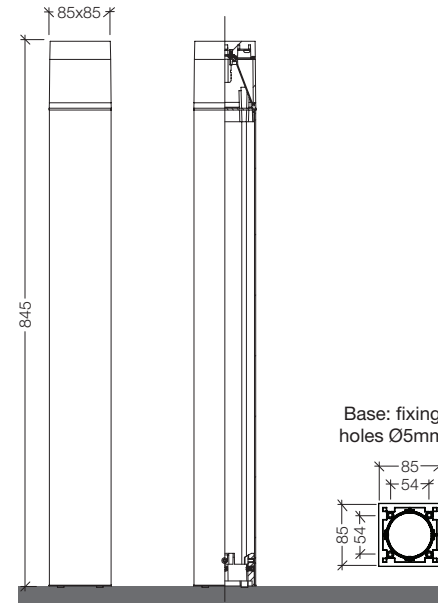
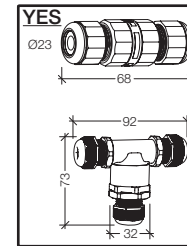
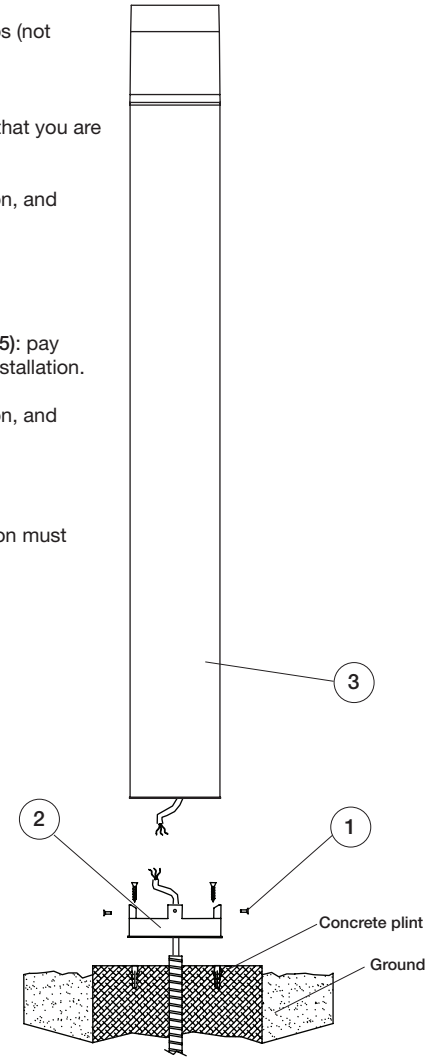
3. Connect the luminaire to the mains throughout a watertight connection, and paying attention to respect both the polarities and the insulation class.
4. Insert the housing (3) into the base (2) and tighten the screws (1).

INSTALLATION INSTRUCTIONS FOR MOUNTING ON POLE Ø60mm:

1. Loosen the screws (1) and remove the base (2).
2. Fasten the base (2) to the pole (4) by tightening the supplied dowels (5): pay attention to apply a suitable tightening torque to the pole used for the installation. See pict. A.
3. Connect the luminaire to the mains throughout a watertight connection, and paying attention to respect both the polarities and the insulation class.
4. Insert the housing (3) into the base (2) and tighten the screws (1).

PAY ATTENTION:

The optional accessories can be placed inside the bollard; the connection must be conducted before fixing the bollard to the base.




Use and maintenance instructions

Delux 360°

Fixed bollard for outdoor use, to be installed on concrete plinth


TECHNICAL DETAILS: refer to the product label

 The UE declaration of conformity can be downloaded from our website www.marecoluce.it

 Insulation Class I

IP65 Protection degree against dust ingress, solid particles, moisture

 This product must not be disposed as a normal household waste

 Caution, risk of electrical shock. The lighting source of this luminaire must be replaced by the Manufacturer only

WARNINGS.

- THE SAFETY OF THIS PRODUCT IS GUARANTEED ONLY WITH THE RESPECT OF THE EXISTING RULES FOR THE ELECTRICAL SYSTEMS, AND WITH THE APPROPRIATE USE OF THESE INSTALLATION INSTRUCTIONS, THEREFORE IT IS NECESSARY TO KEEP THEM.
- THE IMPROPER USE OF THIS PRODUCT IS FORBIDDEN; ANY TAMPERING WITH THE PRODUCT OR MODIFICATION OF THE PRODUCT THAT IS NOT AUTHORIZED BY MARECO LUCE CAN CAUSE DAMAGE TO PEOPLE, ANIMALS OR THINGS, AND WILL VOID ANY WARRANTY OR LIABILITY.
- THE PRODUCT MUST BE INSTALLED IN ACCORDANCE WITH BEST PRACTICE.
- DAMAGED COMPONENTS MUST BE REPLACED BEFORE PUTTING THE PRODUCT BACK INTO SERVICE WITH MARECOLUCE SPARE PARTS.
- THIS PRODUCT IS SUITABLE FOR OUTDOOR INSTALLATION ONLY.
- DO NOT COVER OR OBSCURE THE LIGHTING SOURCE.
- THE LIGHTING SOURCE OF THIS LUMINAIRE MUST BE REPLACED BY THE MANUFACTURER ONLY.
- THE MANUFACTURER IS NOT AT ALL RESPONSIBLE FOR THE CHOICE OF THE D60MM POLE USED FOR THE INSTALLATION.
- THE D60MM POLE USED FOR THE INSTALLATION MUST HAVE A HEIGHT OF 80MM (min) TO 150MM (max), AS SHOWN IN PICT. A

GENERAL MAINTENANCE RECOMMENDATIONS:

- THE BASE AND THE OTHER PARTS OF THE PRODUCT CANNOT BE COVERED BY SOIL OR PUT IN CONTACT WITH AGGRESSIVE CHEMICAL SUBSTANCES (HERBICIDES, FERTILIZINGS, ETC).
- CLEAN THE FITTING PERIODICALLY TO REMOVE POSSIBLE DIRT/GROUND DEPOSITS
- DO NOT USE HARSH DETERGENTS TO CLEAN THE DIFFUSER
- CHECK THE TIGHTNESS OF THE SCREW SECURING THE FITTING.
- CHECK THE INTEGRITY OF THE FITTING COMPONENTS: REPLACE THEM IN CASE OF DAMAGE BY USING ONLY ORIGINAL MARECO LUCE PARTS
- CHECK THE PLASTIC CASINGS CAREFULLY IN ORDER TO IDENTIFY ANY POSSIBLE INSULATION DAMAGE
- IT IS RECOMMENDED TO USE SILICONE GREASE ON THE THREADED PARTS OF THE CLOSING SCREWS IN ORDER TO MAKE FUTURE MAINTENANCE