

## Vimar - 14041 - Blank module white

---

<b>Code</b>	14041
<b>Family</b>	Plana / Accessories / Blank module and cable outlet
<b>Description</b>	Blank module white
<b>Long Description</b>	Blank module, white
<b>Product Status</b>	3 - Active
<b>Minimum order quantity</b>	100 NR



## Certifications

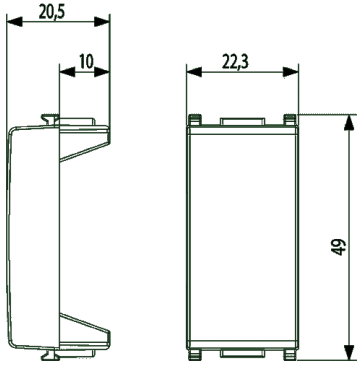
---

- 01. IMQ - Italy ([download](#))
- 04. NF - France ([download](#))
- 08. ASTA - UK
- 09. VDE - Germany ([download](#))
- 15. CCC - China ([download](#))
- 96. Electrotechnical expert ([download](#))

## Drawings

---

### SPACE VIEW



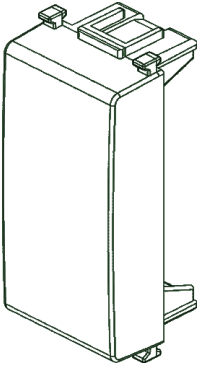
[download.png](#) - [download.dxf](#)

### BACKSIDE VIEW



[download.png](#) - [download.dxf](#)

### 3D VIEW



[download.png](#) - [download.dxf](#)

## Technical data

---

**Class group:** Domestic switching devices

**Class:** Push-switch button

**Method of operation:** Other

**Feedback-signal contact:** No

**Mounting method:** Flush mounted (plaster)

**Material:** Plastic

**Material quality:** Thermoplastic

**Halogen free:** Yes

**Surface protection:** Untreated

**Surface finishing:** Glossy

**Colour:** White

**RAL-number (akin):** 9003

**Transparent:** No

**Label space/information surfac:** Yes

**Width of device:** 22,30 mm

**Height of device:** 49,00 mm

**Depth of device:** 20,50 mm

## Packaging

---



8 007352 108882

**Code** 8007352108882

**Quantity** 1 NR

**Dim.** 2.23x4.9x2.05  
[cm]

**Weight** 4.4 [g]



**Code** 8007352108899

**Quantity** 10 NR

**Dim.** 22x4.9x2 [cm]

**Weight** 46.5 [g]



**Code** 8007352108905

**Quantity** 100 NR

**Dim.** 28.2x11.1x10  
[cm]

**Weight** 560.27 [g]



**Code** 8007352262768

**Quantity** 1,000 NR

**Dim.** 57.5x22.5x30  
[cm]

**Weight** 6,144.67 [g]



**Code** 8007352308602  
**Quantity** 21,000 NR  
**Dim.** 80x120x103 [cm]  
**Weight** 140,000 [g]

## Share

---



## Legal

---

Vimar reserves the right to change at any time and without notice the characteristics of the products reported.

Installation should be carried out by qualified staff in compliance with the current regulations regarding the installation of electrical equipment in the country where the products are installed.

For the terms of use of the information on the product info sheet see [conditions of use](#).