


Use and maintenance instructions


Antera


Outdoor luminaire suitable for installation on poles Ø60mm

TECHNICAL DETAILS: please refer to the product label

 The UE declaration of conformity can be downloaded from our website www.marecoluce.it

IP65 Protection degree against dust ingress, solid particles, moisture

 Caution, risk of electrical shock

 This product must not be disposed as a normal household waste

WARNINGS:

- THE SAFETY OF THIS PRODUCT IS GUARANTEED ONLY WITH THE RESPECT OF THE EXISTING RULES FOR THE ELECTRICAL SYSTEMS, AND WITH THE APPROPRIATE USE OF THESE INSTALLATION INSTRUCTIONS, THEREFORE IT IS NECESSARY TO KEEP THEM.
- THE IMPROPER USE OF THIS PRODUCT IS FORBIDDEN; ANY TAMPERING WITH THE PRODUCT OR MODIFICATION OF THE PRODUCT THAT IS NOT AUTHORIZED BY MARECO LUCE CAN CAUSE DAMAGE TO PEOPLE, ANIMALS OR THINGS, AND WILL VOID ANY WARRANTY OR LIABILITY.
- SWITCH OFF THE ELECTRICITY BEFORE CONDUCTING ANY KIND OF MAINTENANCE.
- THE PRODUCT MUST BE INSTALLED IN ACCORDANCE WITH BEST PRACTICE.
- IN CASE OF DAMAGED COMPONENTS, REPLACE THE WHOLE LUMINAIRE.
- DAMAGED COMPONENTS MUST BE REPLACED WITH MARECOLUCE ORIGINAL SPARE PARTS.
- DO NOT PLACE ANY OBJECT ON THE LUMINAIRE AND DO NOT COVER THE DIFFUSER IN ANY WAY.

GENERAL MAINTENANCE RECOMMENDATIONS:

- CLEAN THE LUMINAIRE PERIODICALLY TO REMOVE THE POSSIBLE DIRT DEPOSITS ON THE TOP PART, ON THE DIFFUSER, AND ON THE DRAINAGE HOLE PLACED ON THE BASE OF THE BRACKET.
- DO NOT USE HARSH DETERGENTS TO CLEAN THE DIFFUSER
- CHECK THE INTEGRITY OF THE FITTING COMPONENTS: REPLACE THEM IN CASE OF DAMAGE BY USING ONLY ORIGINAL MARECO LUCE PARTS
- VERIFY THAT THE SCREWS THAT FIX THE LUMINAIRE TO ITS SUPPORT (POLE / ...) ARE DULY TIGHTENED.

INSTALLATION INSTRUCTIONS:

1. Connect the luminaire to the mains by using a watertight connection, and paying attention to respect the polarities and the insulation class.

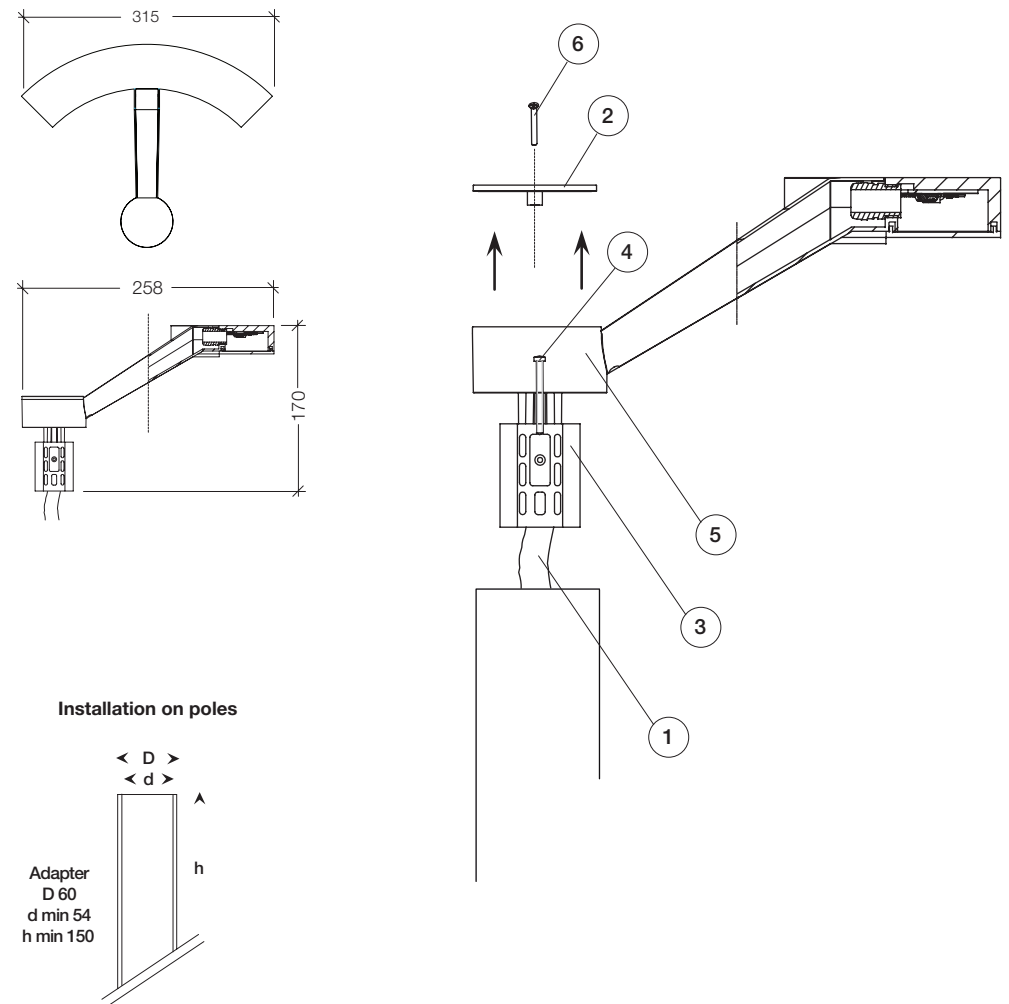
CAUTION: use only a flexible supply cable in double sheath type HAR, or suitable for outdoor use, of section not less than 0,75 sqmm.

2. Remove the cap (2) by unscrewing the screw (6).

3. Insert the fixing shank (3) into its support.

4. Tighten the screws (4) of the expanders evenly to ensure that the housing (5) is fixed to the support.

5. Place the cap (2) and tighten the screw (6).



Size in mm