


Use and maintenance instructions

Alphard


Outdoor luminaire suitable for installation on wall or ceiling


TECHNICAL DETAILS: refer to the product label

 The UE declaration of conformity can be downloaded from our website www.marecoluce.it

 Insulation Class II

IP54 Protection degree against dust ingress, solid particles, moisture

 Caution, risk of electrical shock

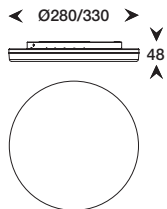
 This product must not be disposed as a normal household waste

WARNINGS:

- THE SAFETY OF THIS PRODUCT IS GUARANTEED ONLY WITH THE RESPECT OF THE EXISTING RULES FOR THE ELECTRICAL SYSTEMS, AND WITH THE APPROPRIATE USE OF THESE INSTALLATION INSTRUCTIONS, THEREFORE IT IS NECESSARY TO KEEP THEM
- THE IMPROPER USE OF THIS PRODUCT IS FORBIDDEN; ANY TAMPERING WITH THE PRODUCT OR MODIFICATION OF THE PRODUCT THAT IS NOT AUTHORIZED BY MARECO LUCE CAN CAUSE DAMAGE TO PEOPLE, ANIMALS OR THINGS, AND WILL VOID ANY WARRANTY OR LIABILITY.
- SWITCH OFF THE ELECTRICITY BEFORE CONDUCTING ANY KIND OF MAINTENANCE.
- THE PRODUCT MUST BE INSTALLED IN ACCORDANCE WITH BEST PRACTICE.
- THE LIGHT SOURCE OF THIS PRODUCT IS NOT REPLACEABLE, THEREFORE, WHEN IT REACHES THE END OF LIFE THE WHOLE LUMINAIRE MUST BE REPLACED.
- IN CASE OF DAMAGED COMPONENTS, REPLACE THE WHOLE LUMINAIRE.

GENERAL MAINTENANCE RECOMMENDATIONS:

- CLEAN THE LUMINAIRE PERIODICALLY IN ORDER TO REMOVE DIRT DEPOSITS ON THE DIFFUSER.
- DO NOT USE HARSH DETERGENTS TO CLEAN THE DIFFUSER



INSTALLATION INSTRUCTIONS:

1. Unblock the fixing base (1) by applying pressure with a relevant tool on the point marked with "press" (2). At the same time, turn the fixing base anti clock-wise.
2. Untighten the screws (3) and insert the supply cable (4) into the fixing base (1).
3. Connect the electrical conductors to the terminal block (5) by respecting the polarities and the luminaire's insulation class

CAUTION:

use only a flexible double insulation sheath (type HAR). The outer cable diameter must range between Ø6 and Ø8mm and the thickness of the inner electrical wires must range between 0,75 and 2,5 mmq.

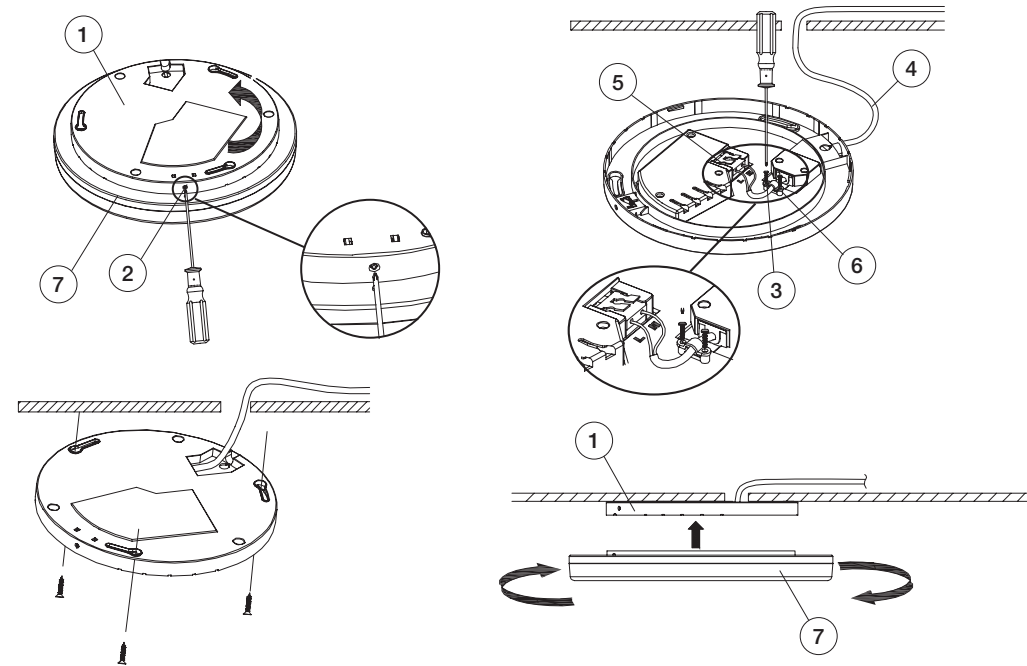
For the version with motion sensor only:

Set up the sensor by selecting the desired parameters using the relevant switches (read the instructions to program the sensor here included).

4. Block the supply cable (4) by tightening the cable-block (6) screws (3).
 5. Secure the luminaire base (1) to the wall/ceiling with screws and expansion caps (not included in the packaging).
- WARNING:** select a suitable expansion cap for your specific installation.
6. Place the luminaire (7) over the base (1) and turn it clock-wise until it stops

INSTALLATION WITH CABLE CONDUITS

- a. Free the cable ingress placed on the side of the luminaire by using a suitable tool (Pict.1).
- b. Follow the instructions above from points 1 to 4.
- c. Secure the base (1) to the wall/ceiling by using the screws and expansion caps (not included in the packaging). Place the base near the end of the cable conduit.
- d. Place the luminaire (7) over the base (1) and turn it clock-wise until it stops.



Pict. 1

