


Use and maintenance instructions


K4

Outdoor luminaire suitable for installation on concrete plinth.

TECHNICAL DETAILS: refer to the product label

 The UE declaration of conformity can be downloaded from our website www.marecoluce.it

IP65 Protection degree against dust ingress, solid particles, moisture

 Caution, risk of electrical shock

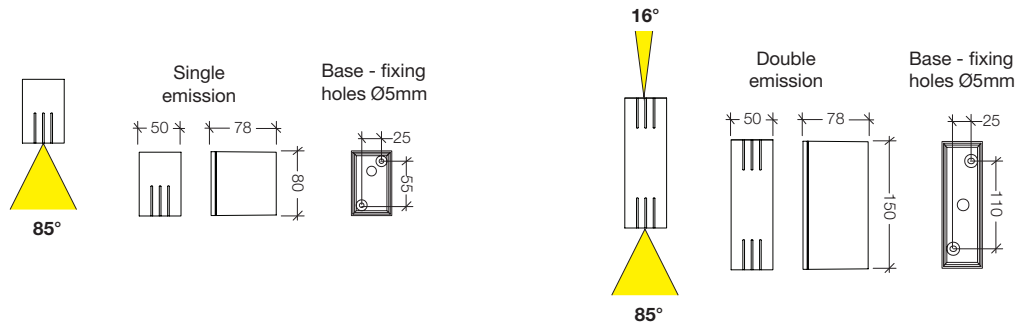
 This product must not be disposed as a normal household waste

WARNINGS:

- THE SAFETY OF THIS PRODUCT IS GUARANTEED ONLY WITH THE RESPECT OF THE EXISTING RULES FOR THE ELECTRICAL SYSTEMS, AND WITH THE APPROPRIATE USE OF THESE INSTALLATION INSTRUCTIONS, THEREFORE IT IS NECESSARY TO KEEP THEM.
- THE IMPROPER USE OF THIS PRODUCT IS FORBIDDEN; ANY TAMPERING WITH THE PRODUCT OR MODIFICATION OF THE PRODUCT THAT IS NOT AUTHORIZED BY MARECO LUCE CAN CAUSE DAMAGE TO PEOPLE, ANIMALS OR THINGS, AND WILL VOID ANY WARRANTY OR LIABILITY.
- SWITCH OFF THE ELECTRICITY BEFORE CONDUCTING ANY KIND OF MAINTENANCE.
- THIS PRODUCT IS SUITABLE FOR OUTDOOR INSTALLATION ONLY.
- THE PRODUCT MUST BE INSTALLED IN ACCORDANCE WITH BEST PRACTICE.
- DAMAGED COMPONENTS MUST BE REPLACED WITH MARECOLUCE ORIGINAL SPARE PARTS.
- IN CASE OF DAMAGED COMPONENTS, REPLACE THE WHOLE LUMINAIRE.

GENERAL MAINTENANCE RECOMMENDATIONS:

- CLEAN THE FITTING PERIODICALLY TO REMOVE POSSIBLE DIRT/GROUND DEPOSITS
- DO NOT USE HARSH DETERGENTS TO CLEAN THE DIFFUSER
- CHECK THE TIGHTNESS OF THE SCREW THAT SECURE THE LUMINAIRE TO THE WALL.
- CHECK THE INTEGRITY OF THE FITTING COMPONENTS: REPLACE THEM IN CASE OF DAMAGE BY USING ONLY ORIGINAL MARECO LUCE PARTS.



INSTALLATION INSTRUCTIONS:

1. Loosen the dowels (1) and remove the rear cover (2).

SINGLE-EMISSION VERSION:

2. Insert the supply cable (3) into the grommet (4) removing the membrane and the cable clamp (5), and then connect the wires to the terminal, paying attention to respect the polarities and the insulation class of the luminaire.

ATTENTION: use only a flexible supply cable in double sheath type HAR. The external diameter of the cable must be between 6 and 8mm, and the section of the internal wires must be between 0.75 and 1.5mmq.

DOUBLE-EMISSION VERSION:

3. Insert the supply cable (3) into the cable gland (6), and then connect the wires to the terminal (7), paying attention to respect the polarities and the insulation class of the luminaire.

ATTENTION: use only a flexible supply cable in double sheath type HAR. The external diameter of the cable must be between 5 and 10mm, and the section of the internal wires must be between 0.75 and 1.5mmq.

4. Fix the rear cover (2) to the wall using the supplied screws and expansion caps, inserting the gasket (8) under the screw head (9);

ATTENTION: check always that the supplied screws and expansion caps are suitable for the type of installation that you are conducting.

DOUBLE-EMISSION VERSION:

5. Tighten the cable gland (6).

6. Place the luminaire (10) on the rear cover (2) paying attention to the correct positioning of the gasket and tighten the dowels (1).

