

Use and maintenance instructions



Door
Outdoor luminaire suitable for installation on concrete plinth.

TECHNICAL DETAILS: refer to the product label

CE The UE declaration of conformity can be downloaded from our website www.marecoluce.it

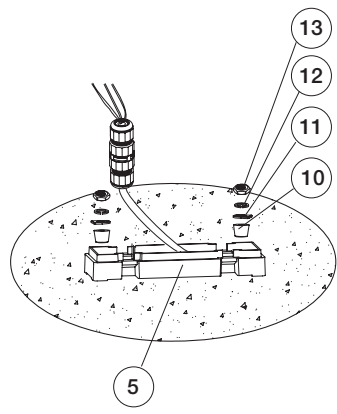
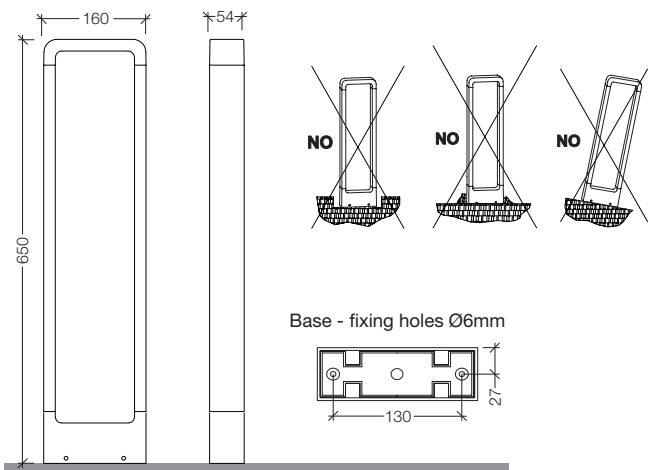
IP65 Protection degree against dust ingress, solid particles, moisture

Caution, risk of electrical shock

This product must not be disposed as a normal household waste

- WARNINGS:**
- THE SAFETY OF THIS PRODUCT IS GUARANTEED ONLY WITH THE RESPECT OF THE EXISTING RULES FOR THE ELECTRICAL SYSTEMS, AND WITH THE APPROPRIATE USE OF THESE INSTALLATION INSTRUCTIONS, THEREFORE IT IS NECESSARY TO KEEP THEM.
 - THE IMPROPER USE OF THIS PRODUCT IS FORBIDDEN; ANY TAMPERING WITH THE PRODUCT OR MODIFICATION OF THE PRODUCT THAT IS NOT AUTHORIZED BY MARECO LUCE CAN CAUSE DAMAGE TO PEOPLE, ANIMALS OR THINGS, AND WILL VOID ANY WARRANTY OR LIABILITY.
 - SWITCH OFF THE ELECTRICITY BEFORE CONDUCTING ANY KIND OF MAINTENANCE.
 - THIS PRODUCT IS SUITABLE FOR OUTDOOR INSTALLATION ONLY.
 - THE PRODUCT MUST BE INSTALLED IN ACCORDANCE WITH BEST PRACTICE.
 - DAMAGED COMPONENTS MUST BE REPLACED WITH MARECOLUCE ORIGINAL SPARE PARTS.
 - IN CASE OF DAMAGED COMPONENTS, REPLACE THE WHOLE LUMINAIRE.

- GENERAL MAINTENANCE RECOMMENDATIONS:**
- THE BASE AND THE OTHER PARTS OF THE PRODUCT CANNOT BE COVERED BY SOIL OR PUT IN CONTACT WITH AGGRESSIVE CHEMICAL SUBSTANCES (HERBICIDES, FERTILIZINGS, ETC).
 - CLEAN THE FITTING PERIODICALLY TO REMOVE POSSIBLE DIRT/GROUND DEPOSITS
 - DO NOT USE HARSH DETERGENTS TO CLEAN THE DIFFUSER
 - CHECK THE TIGHTNESS OF THE SCREW SECURING THE FITTING.
 - CHECK THE INTEGRITY OF THE FITTING COMPONENTS: REPLACE THEM IN CASE OF DAMAGE BY USING ONLY ORIGINAL MARECO LUCE PARTS
 - IT IS ADVISABLE TO PUT SOME SILICONE GREASE ON THE THREADED PARTS OF THE CLOSING DOWELS TO FACILITATE ANY POSSIBLE FUTURE MAINTENANCE



- INSTALLATION INSTRUCTIONS:**
1. Screw the tie rods (1) into the flange (2) for about 22mm so that the protective sheaths (3) cover the protruding part completely (see pict. A).
 2. Cement the flange flush with the floor, paying attention that the supply cable come out of the central hole of the flange.
- ATTENTION:** use only a flexible supply cable in double sheath type HAR. The external diameter of the cable must be between 6 and 8mm, and the section of the internal wires must be between 0.5 and 1.5mmq.
3. Loosen the dowels (4) and remove the base (5).
 4. Insert the supply cable (7) through the grommet.
 5. Loosen the ring nut (6) (see pict.B) of the watertight terminal block.
 6. Insert the supply cable (7) into the ring nut (6). If necessary, loosen the ring nut (8) and insert the supply cable (7) in the gasket (9) first, and then into the ring nut (6). (see pict.B).
 7. Connect the supply cable (7) paying attention to respect the polarity and the cable stripping (see pict. B).
 8. Close the terminal block by tightening the ferrule first (6) and then close the other ferrule (8) to make a watertight connection and ensure the declared IP rate.
 9. Remove the protective sheaths (3).
 10. Insert the supply cable (7) into the grommet of the base (5).
 11. Fix the base (5) to the anchor bolts (1) by inserting as follows: the rubber gasket (10), the plate with hole (11), the washer (12) and the nut (13), by applying 2.5 Nm.
 12. Place the luminaire (14) into the base (5) and tighten the dowels tightly (4).

