


Use and maintenance instructions

BAMBU' - STELO

Outdoor luminaire suitable for installation on concrete plinth

TECHNICAL DETAILS: refer to the product label

 The UE declaration of conformity can be downloaded from our website www.marecoluce.it

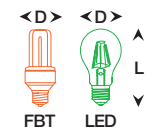
IP65 Protection degree against dust ingress, solid particles, moisture

 This product must not be disposed as a normal household waste

WARNINGS:

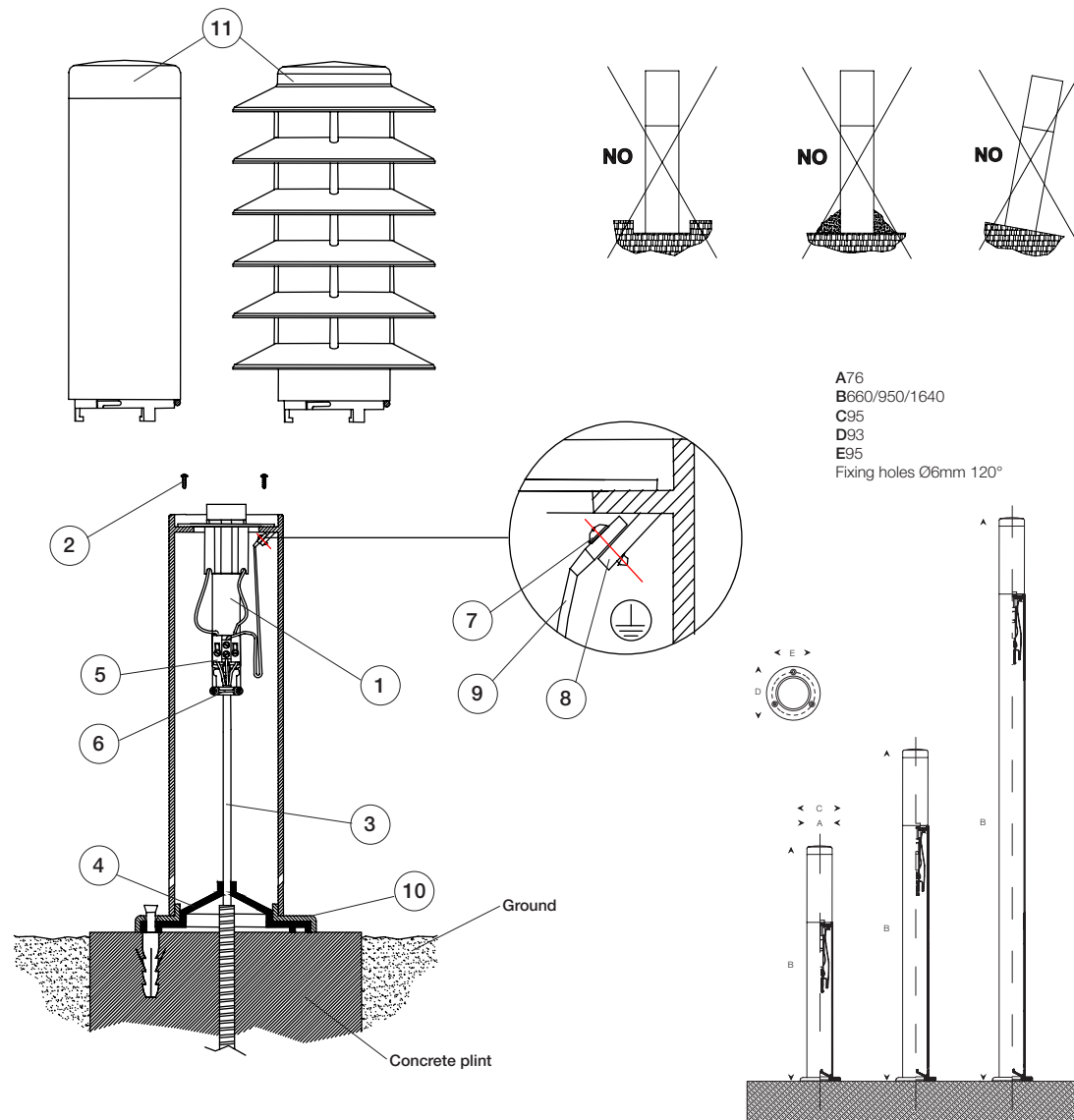
- THE SAFETY OF THIS PRODUCT IS GUARANTEED ONLY WITH THE RESPECT OF THE EXISTING RULES FOR THE ELECTRICAL SYSTEMS, AND WITH THE APPROPRIATE USE OF THESE INSTALLATION INSTRUCTIONS, THEREFORE IT IS NECESSARY TO KEEP THEM
- THE IMPROPER USE OF THIS PRODUCT IS FORBIDDEN; ANY TAMPERING WITH THE PRODUCT OR MODIFICATION OF THE PRODUCT THAT IS NOT AUTHORIZED BY MARECO LUCE CAN CAUSE DAMAGE TO PEOPLE, ANIMALS OR THINGS, AND WILL VOID ANY WARRANTY OR LIABILITY.
- SWITCH OFF THE ELECTRICITY BEFORE CONDUCTING ANY KIND OF MAINTENANCE.
- THE PRODUCT MUST BE INSTALLED IN ACCORDANCE WITH BEST PRACTICE
- DAMAGED COMPONENTS MUST BE REPLACED WITH MARECOLUCE ORIGINAL SPARE PARTS
- **THIS PRODUCT IS SUITABLE FOR OUTDOOR INSTALLATION ONLY**
- DO NOT PLACE ANY OBJECT ON THE DIFFUSER AND DO NOT COVER IT.
- MAX. LAMP SIZE (IN MM):

21W D50 L190



GENERAL MAINTENANCE RECOMMENDATIONS:

- THE BASE AND THE OTHER PARTS OF THE PRODUCT CANNOT BE COVERED BY SOIL OR PUT IN CONTACT WITH AGGRESSIVE CHEMICAL SUBSTANCES (HERBICIDES, FERTILIZINGS, ETC).
- CLEAN THE FITTING PERIODICALLY TO REMOVE POSSIBLE DIRT/GROUND DEPOSITS .
- DO NOT USE HARSH DETERGENTS TO CLEAN THE DIFFUSER.
- CHECK THE TIGHTNESS OF THE SCREW SECURING THE FITTING.
- CHECK THE INTEGRITY OF THE FITTING COMPONENTS: REPLACE THEM IN CASE OF DAMAGE BY USING ONLY ORIGINAL MARECO LUCE PARTS.
- CHECK THE PLASTIC CASINGS CAREFULLY IN ORDER TO IDENTIFY ANY POSSIBLE INSULATION DAMAGE.



INSTALLATION INSTRUCTIONS:

1. Remove the wiring base (1) by untightening the screws (2).
 2. Insert the supply cable (3) through the gasket (4).
 3. Connect the supply cable (3) to the terminal block (5) located on the wiring base (1) by fixing it to the cable block (6).
- CAUTION:** use only a flexible double insulation sheath (type HAR) or one suitable for outdoor use. The outer cable diameter must range between 5-12 mm. The thickness of the inner electrical wires must range between 1 and 2,5 mmq.
4. Untighten the screw (7) of the terminal block (8) placed on the top part of the housing. Insert the earth cable (9) and tighten the screw.
 5. Insert the wiring base (1) in bollard's housing and fix it by using the screws (2).
 6. Fix the base (10) over the plinth by using the screws and expansion caps (NOT included in the packaging)
 7. Insert the lamp (NOT included with the luminaire)
 8. Install the diffuser (11) and secure it to the bollard by rotating 30° clock wise.