

**Use and maintenance instructions**  
LIRA 140 LIRA 150



Ground recessed luminaire including a recessed box.  
TECHNICAL DETAILS: refer to the product label

The EU declaration of conformity can be downloaded from our website [www.marecoluce.it](http://www.marecoluce.it)

**IP67** Protection degree against dust ingress, solid particles, moisture

Can be driven on by vehicles, max weight load 2500 Kg, 20 Km/h

This product must not be disposed as a normal household waste

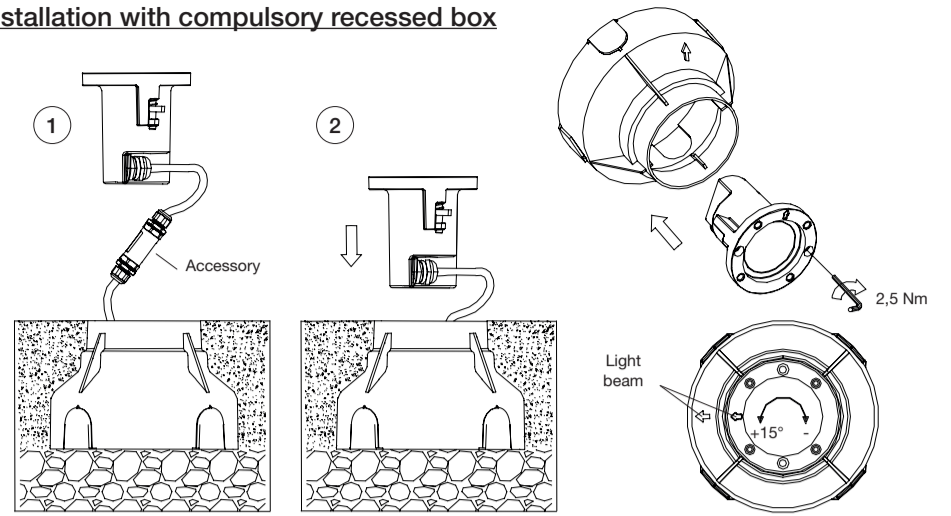
**WARNINGS:**

- THE SAFETY OF THIS PRODUCT IS GUARANTEED ONLY WITH THE RESPECT OF THE EXISTING RULES FOR THE ELECTRICAL SYSTEMS AND WITH THE APPROPRIATE USE OF THESE INSTALLATION INSTRUCTIONS, THEREFORE IT IS NECESSARY TO KEEP THEM.
- THE IMPROPER USE OF THIS PRODUCT IS FORBIDDEN; ANY TAMPERING WITH THE PRODUCT OR MODIFICATION OF THE PRODUCT THAT IS NOT AUTHORIZED BY MARECO LUCE CAN CAUSE DAMAGE TO PEOPLE, ANIMALS OR THINGS AND WILL VOID ANY WARRANTY OR LIABILITY.
- SWITCH OFF THE ELECTRICITY BEFORE CONDUCTING ANY KIND OF MAINTENANCE.
- THE PRODUCT MUST BE INSTALLED IN ACCORDANCE WITH BEST PRACTICE.
- THE RECESSED BOX IS AN INTEGRAL PART OF THE LUMINAIRE, AND THEREFORE IN CASE OF GROUND INSTALLATION IT IS COMPULSORY.
- THE FALSE CEILING LOCKING MECHANISM KIT IS AN INTEGRAL PART OF THE LUMINAIRE, AND THEREFORE IN CASE OF FALSE CEILING INSTALLATION IT IS COMPULSORY.
- DO NOT USE TOOLS TO REMOVE THE SCREEN TO AVOID DAMAGING THE GASKET.
- THE LUMINAIRE MUST BE CONNECTED TO THE EARTH CIRCUIT OF THE ELECTRICAL PAN.
- ANY PART OF THE LUMINAIRE NOT PROTECTED FROM THE RECESSED BOX SHOULD COME IN CONTACT WITH THE GROUND OR WITH HARSH CHEMICALS, DEFROSTING AGENTS, SALINE ENVIRONMENTS.
- DO NOT COVER THE VISIBLE PARTS OF THE LUMINAIRE.
- DO NOT INSTALL THE LUMINAIRE IN CASE OF RAIN, FOG OR HIGH HUMIDITY.
- DAMAGED COMPONENTS MUST BE REPLACED WITH MARECO LUCE ORIGINAL SPARE PARTS BEFORE REUSING THE PRODUCT.
- IN CASE OF FALSE CEILING INSTALLATION WITH THE PROPER KIT, MAKE SURE THAT THERE IS NO HEATING SYSTEM ABOVE THE CEILING.
- IN GU10 VERSION, THE MAXIMUM TEMPERATURE MEASURED ON THE GLASS CONCERNS A LAMP WITH WIDE BEAM; IF LAMPS WITH NARROW BEAM ARE USED, THIS TEMPERATURE WILL BE HIGHER.

**GENERAL MAINTENANCE RECOMMENDATIONS:**

- CLEAN THE EXTERIOR PART OF THE LUMINAIRE PERIODICALLY IN ORDER TO REMOVE DIRT DEPOSITS ON THE DIFFUSER AND ON THE FRAME.
- DO NOT USE HARSH DETERGENTS OR HIGH-PRESSURE WATER JET MACHINES TO CLEAN THE DIFFUSER.
- CHECK THE TIGHTNESS OF THE SCREWS SECURING THE LUMINAIRE (2,5 Nm).
- WE RECOMMEND USING SILICONE GREASE ON THE FIXING SCREW THREADS TO MAKE FUTURE MAINTENANCE EASIER.
- CHECK THE INTEGRITY OF THE COMPONENTS AND REPLACEMENT IN CASE OF DAMAGE BY USING ONLY MARECO LUCE ORIGINAL SPARE PARTS.
- CHECK THE INTEGRITY AND THE FLEXIBILITY OF THE GASKETS, WHICH MUST HARDEN, BREAK OR DAMAGE IN ANY WAY.

**Installation with compulsory recessed box**



**false ceiling installation**

