


Use and maintenance instructions

Sfera LED 400 IP65 Downlight


Sfera LED 500 IP65 Uplight and Downlight


Outdoor luminaire suitable for installation on Ø60mm pole/bracket
TECHNICAL DETAILS: refer to the product label

 The UE declaration of conformity can be downloaded from our website www.marecoluce.it

 Insulation Class II

IP65 Protection degree against dust ingress, solid particles, moisture

 Caution, risk of electrical shock

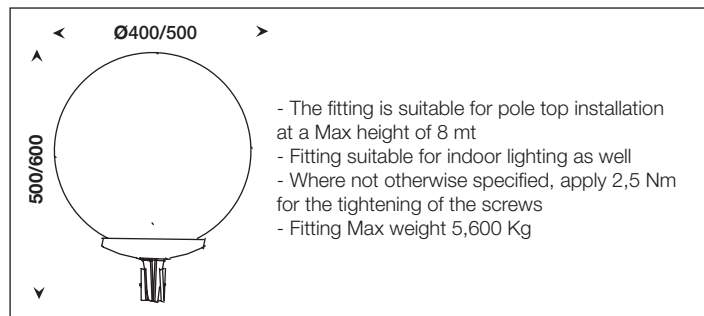
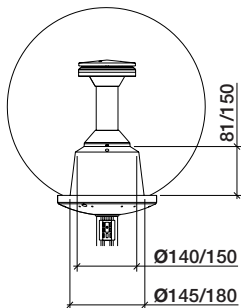
 This product must not be disposed as a normal household waste

WARNINGS:

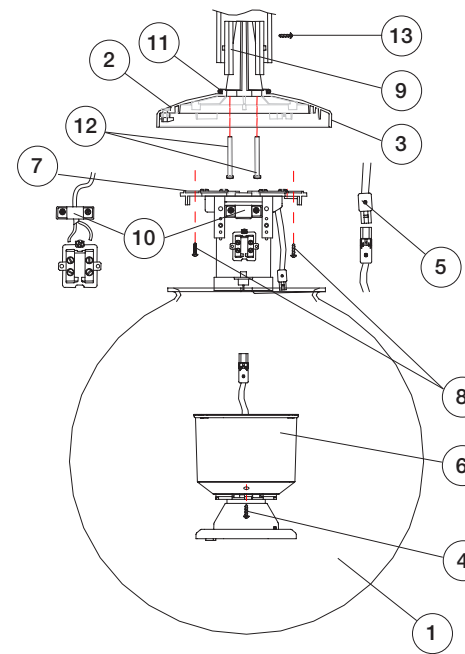
- THE SAFETY OF THIS PRODUCT IS GUARANTEED ONLY WITH THE RESPECT OF THE EXISTING RULES FOR THE ELECTRICAL SYSTEMS AND WITH THE APPROPRIATE USE OF THESE INSTALLATION INSTRUCTIONS, THEREFORE IT IS NECESSARY TO KEEP THEM.
- THE IMPROPER USE OF THIS PRODUCT IS FORBIDDEN; ANY TAMPERING WITH THE PRODUCT OR MODIFICATION OF THE PRODUCT THAT IS NOT AUTHORIZED BY MARECO LUCE CAN CAUSE DAMAGE TO PEOPLE, ANIMALS OR THINGS AND WILL VOID ANY WARRANTY OR LIABILITY.
- SWITCH OFF THE ELECTRICITY BEFORE CONDUCTING ANY KIND OF MAINTENANCE.
- THE PRODUCT MUST BE INSTALLED IN ACCORDANCE WITH BEST PRACTICE.
- THE LIGHT SOURCE OF THIS PRODUCT IS NOT REPLACEABLE, THEREFORE, WHEN IT REACHES THE END OF LIFE THE WHOLE LUMINAIRE MUST BE REPLACED.
- DAMAGED COMPONENTS MUST BE REPLACED WITH MARECO LUCE ORIGINAL SPARE PARTS.

GENERAL MAINTENANCE RECOMMENDATIONS:

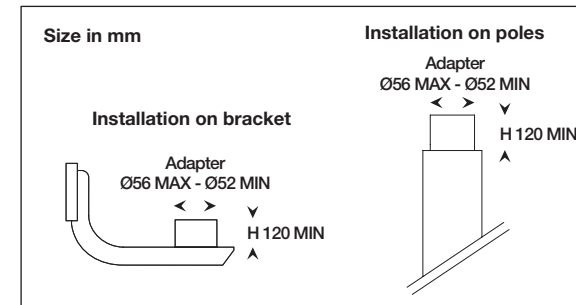
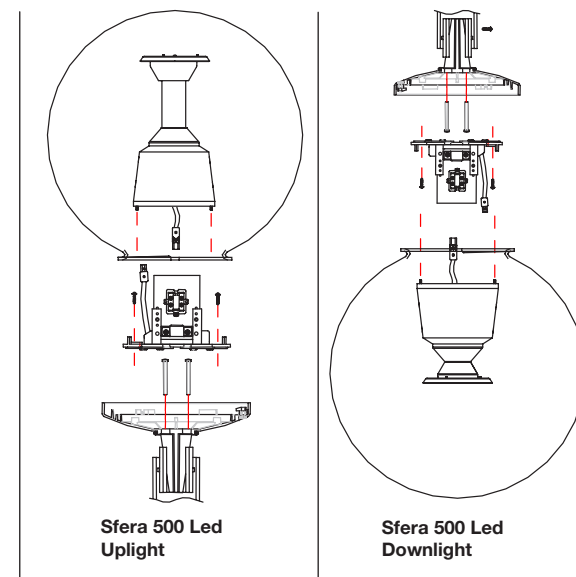
- CLEAN THE LUMINAIRE PERIODICALLY IN ORDER TO REMOVE DIRT DEPOSITS ON THE DIFFUSER AND IN THE DRAINAGE HOLES OF THE BASE (LOCATE THEM BY USING THE INSTALLATION INSTRUCTIONS).
- CHECK THE TIGHTNESS OF THE SCREWS SECURING THE LUMINAIRE TO THE POLE.
- CHECK THE INTEGRITY OF THE DIFFUSER AND REPLACE IT IN CASE OF DAMAGE, BY USING ONLY AN ORIGINAL MARECO LUCE DIFFUSER.
- DO NOT USE HARSH DETERGENTS TO CLEAN THE DIFFUSER.
- CHECK THE PLASTIC CASINGS CAREFULLY IN ORDER TO IDENTIFY ANY POSSIBLE INSULATION DAMAGE.



Rev. 3 - 22/05/2018



Sfera 400 Led Downlight



INSTALLATION INSTRUCTIONS:

1. Remove the diffuser (1), by loosening the three blocking screws (2) placed on the bottom of the base (3), and turning it of about 60°.
2. Loosen the fixing screws (4), disconnect the connectors (5), remove the wiring compartments (6) and have access to the components holding plate (7).
3. Loosen the fixing screws (8) of the components holding plate (7), and then remove the plate by making it turning anti-clockwise.
4. Insert the supply cable in the hole placed in the fixing part (9) of the base (3);
CAUTION: use only a flexible double insulation sheath (type HAR). The outer cable diameter must be less than 13mm and the thickness of the inner electrical wires must range between 1 and 2.5mmq.
5. Connect the connectors to the terminal block, and fix the cable into the cord-block (10), then insert the fixing part (9) into the pole top / bracket, paying attention to the correct positioning of the gasket (11).
6. Tighten the screws (12) of the expanders equally to ensure the fixing of the base (3) on the pole.
CAUTION: In case of downlight mounting, tighten the screw (13) (not included) and make sure that the base (3) is firmly anchored to the arm.
7. Position the components holding plates (7) on the base (3) paying attention that the shaping of the external plate profile matches the notch of the base (3).
8. Turn the components holding plate (7) clock-wise up to the correct positioning of the fixing holes, and the tighten the screws (8).
9. Connect the connectors of the wiring compartment (5) to the terminal block.
10. Insert the wiring compartment (6) paying attention that the notch of the cone matches the notch of the components holding plate (7).
11. Tighten the screws (4).
12. Insert the diffuser (1), turn it about 60° and tighten the three screws (2) placed on the bottom of the base (3).