


Use and maintenance instructions

Sfera LED 400 IP44


Outdoor luminaire suitable for installation on Ø60mm pole/bracket

TECHNICAL DETAILS: refer to the product label

 The UE declaration of conformity can be downloaded from our website www.marecoluce.it

 Insulation Class II

IP44 Protection degree against dust ingress, solid particles, moisture

 This product must not be disposed as a normal household waste

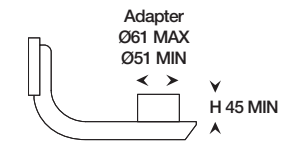
WARNINGS:

- THE SAFETY OF THIS PRODUCT IS GUARANTEED ONLY WITH THE RESPECT OF THE EXISTING RULES FOR THE ELECTRICAL SYSTEMS AND WITH THE APPROPRIATE USE OF THESE INSTALLATION INSTRUCTIONS, THEREFORE IT IS NECESSARY TO KEEP THEM.
- THE IMPROPER USE OF THIS PRODUCT IS FORBIDDEN; ANY TAMPERING WITH THE PRODUCT OR MODIFICATION OF THE PRODUCT THAT IS NOT AUTHORIZED BY MARECO LUCE CAN CAUSE DAMAGE TO PEOPLE, ANIMALS OR THINGS AND WILL VOID ANY WARRANTY OR LIABILITY.
- SWITCH OFF THE ELECTRICITY BEFORE CONDUCTING ANY KIND OF MAINTENANCE.
- THE PRODUCT MUST BE INSTALLED IN ACCORDANCE WITH BEST PRACTICE.
- THE LIGHT SOURCE OF THIS PRODUCT IS NOT REPLACEABLE, THEREFORE, WHEN IT REACHES THE END OF LIFE THE WHOLE LUMINAIRE MUST BE REPLACED.
- DAMAGED COMPONENTS MUST BE REPLACED WITH MARECO LUCE ORIGINAL SPARE PARTS.
- THIS LUMINAIRE IS NOT SUITABLE FOR PUBLIC LIGHTING.

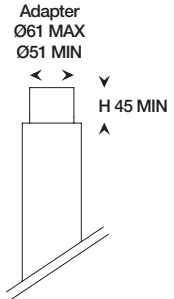
GENERAL MAINTENANCE RECOMMENDATIONS:

- CLEAN THE LUMINAIRE PERIODICALLY IN ORDER TO REMOVE DIRT DEPOSITS ON THE DIFFUSER AND IN THE DRAINAGE HOLES OF THE BASE (LOCATE THEM BY USING THE INSTALLATION INSTRUCTIONS).
- CHECK THE TIGHTNESS OF THE SCREWS SECURING THE LUMINAIRE TO THE POLE.
- CHECK THE INTEGRITY OF THE DIFFUSER AND REPLACE IT IN CASE OF DAMAGE, BY USING ONLY AN ORIGINAL MARECO LUCE DIFFUSER.
- DO NOT USE HARSH DETERGENTS TO CLEAN THE DIFFUSER.
- CHECK THE PLASTIC CASINGS CAREFULLY IN ORDER TO IDENTIFY ANY POSSIBLE INSULATION DAMAGE.

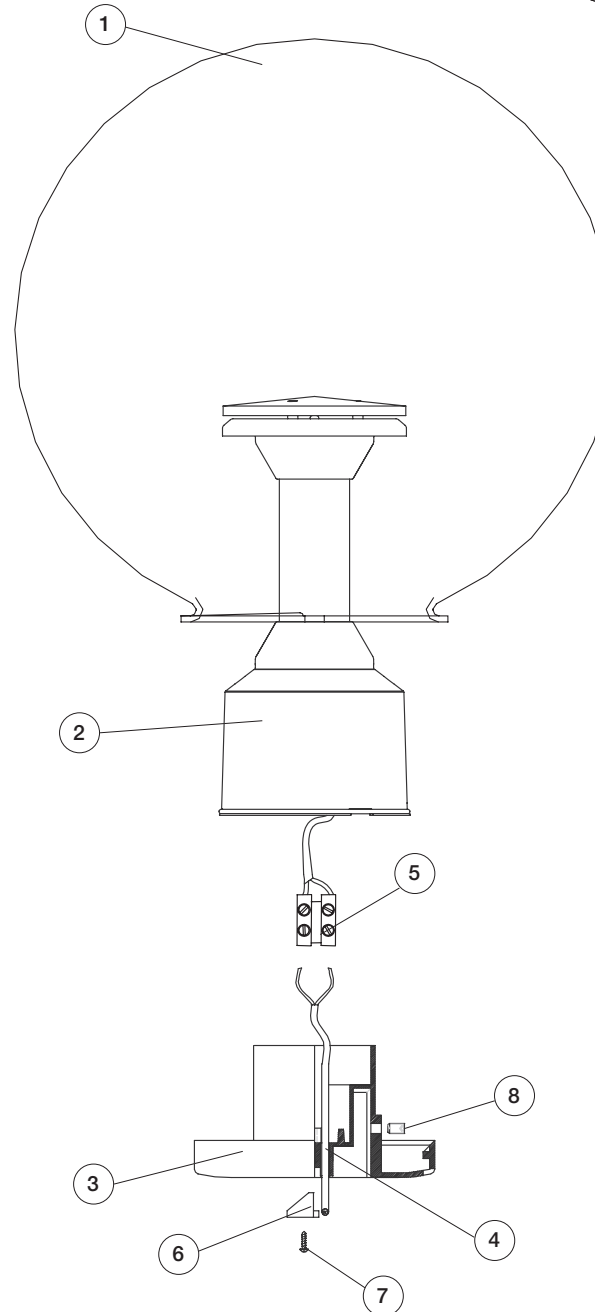
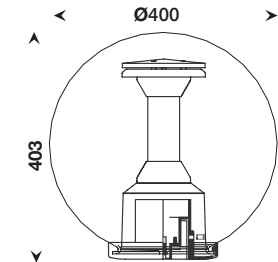
Installation on brackets



Installation on poles



SIZES IN MM



INSTALLATION INSTRUCTIONS:

1. Remove the diffuser (1) by turning it 60° anti clock-wise.
2. Remove the wiring cone and LED module (2) to access to the base (3).
3. Insert the supply cable (4) into the base (3) and connect the electrical wires to the terminal block (5).

CAUTION: use only a flexible double insulation sheath (type HAR). The outer cable diameter must be less than 11mm and the thickness of the inner electrical wires must range between 1 and 2.5mmq.

4. Tighten the supply cable (4) through the anchorage (6) by tightening the screw (7).
5. Secure the base (3) to the pole/bracket by tightening the dowel (8).
6. Insert the wired cone and LED module (2) back into the base (3).
7. Place the diffuser (1) on the base (3) by turning it 60° clock-wise.

