

Use and maintenance instructions

DISCOVERY

Street luminaire suitable for installation on pole or on pastoral bracket or span wire
TECHNICAL DETAILS: please refer to the product label

CE The EU declaration of conformity can be downloaded from our website www.marecoluce.it

IP66 Protection degree against dust ingress, solid particles, moisture

Caution, risk of electrical shock

This product must not be disposed as a normal household waste

GENERAL MAINTENANCE RECOMMENDATIONS:

- CLEAN THE FITTING PERIODICALLY TO REMOVE POSSIBLE DIRT DEPOSITS ON THE LUMINAIRE.
- DO NOT USE HARSH DETERGENTS TO CLEAN THE DIFFUSER.
- CHECK THE TIGHTNESS OF THE SCREWS SECURING THE LUMINAIRE TO ITS SUPPORT AND/OR TO THE SUSPENSION CABLE.
- CHECK THE INTEGRITY OF THE COMPONENTS AND REPLACE THEM IN CASE OF ANY DAMAGE BY USING ORIGINAL MARECO LUCE SPARE PARTS.

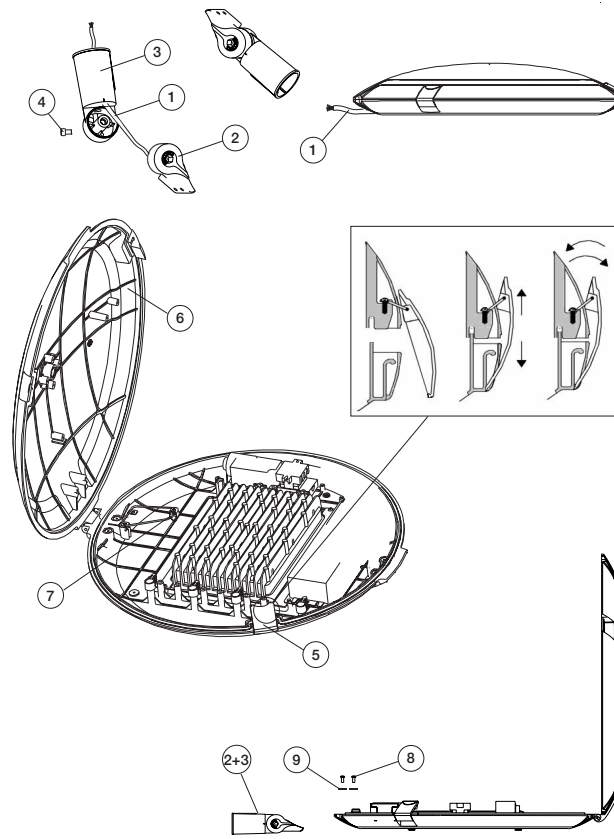
WARNINGS:

- THE SAFETY OF THIS PRODUCT IS GUARANTEED ONLY WITH THE RESPECT OF THE EXISTING RULES FOR THE ELECTRICAL SYSTEMS, AND WITH THE APPROPRIATE USE OF THESE INSTALLATION INSTRUCTIONS, THEREFORE IT IS NECESSARY TO KEEP THEM.
- THE IMPROPER USE OF THIS PRODUCT IS FORBIDDEN; ANY TAMPERING WITH THE PRODUCT OR MODIFICATION OF THE PRODUCT THAT IS NOT AUTHORIZED BY MARECO LUCE CAN CAUSE DAMAGE TO PEOPLE, ANIMALS OR THINGS, AND WILL VOID ANY WARRANTY OR LIABILITY.
- SWITCH OFF THE ELECTRICITY BEFORE CONDUCTING ANY KIND OF MAINTENANCE.
- THE PRODUCT MUST BE INSTALLED IN ACCORDANCE WITH BEST PRACTICE.
- THE LIGHT SOURCE OF THIS PRODUCT IS NOT REPLACEABLE, THEREFORE, WHEN IT REACHES THE END OF LIFE THE WHOLE LUMINAIRE MUST BE REPLACED.
- DAMAGED COMPONENTS MUST BE REPLACED WITH MARECO LUCE ORIGINAL SPARE PARTS BEFORE REUSING THE PRODUCT.

	35W	55W
The luminaire is suitable for indoor use	yes	yes
The luminaire can be installed on poles of max height	8 mt	8 mt
Suitable for mounting	On pole and on arm with suspension cable	On pole and on arm with suspension cable
Luminaire weight (head-pole)	8,1 Kg	8,1 Kg
Luminaire weight (pastoral bracket)	7,5 Kg	7,5 Kg
Luminaire weight (side entry bracket)	7,6 Kg	7,6 Kg
Luminaire weight (span-wire system)	7,2 Kg	7,2 Kg
Suitable diameters for the suspension cables	Ø6 ÷ 12 mm	Ø6 ÷ 12 mm
Torque value (in Nm) to apply in tightening all bolts and screws securing the luminaire on its support	8 Nm	8 Nm

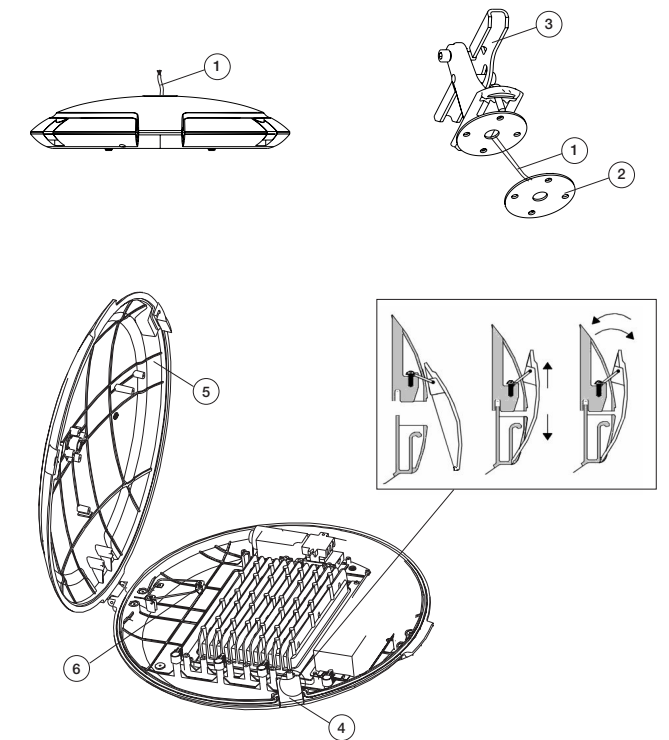
INSTALLATION INSTRUCTIONS (SIDE-ENTRY):

1. Insert the supply cable (1) out of the luminaire first in the joint (2) and then in adaptor (3).
2. Secure the pole adaptor (2) and (3) by tightening the screws (4) and set the preferred angle.
3. Unhook the closing clips (5), lift the luminaire cap (6) and use the relevant spring (7) to keep it open.
4. Connect the assembled pole adaptor (2+3) with the luminaire housing and tighten the screws (8) by placing the gaskets (9) in between the two parts: apply 6 Nm
5. Release the luminaire's cap (6) and close the fitting by using the relevant closing clips (5).
6. Connect the luminaires to the main supply by using a watertight connection and by respecting the polarities and the luminaire insulation class.
7. Place the luminaire on the pole and tighten the dowels (10).



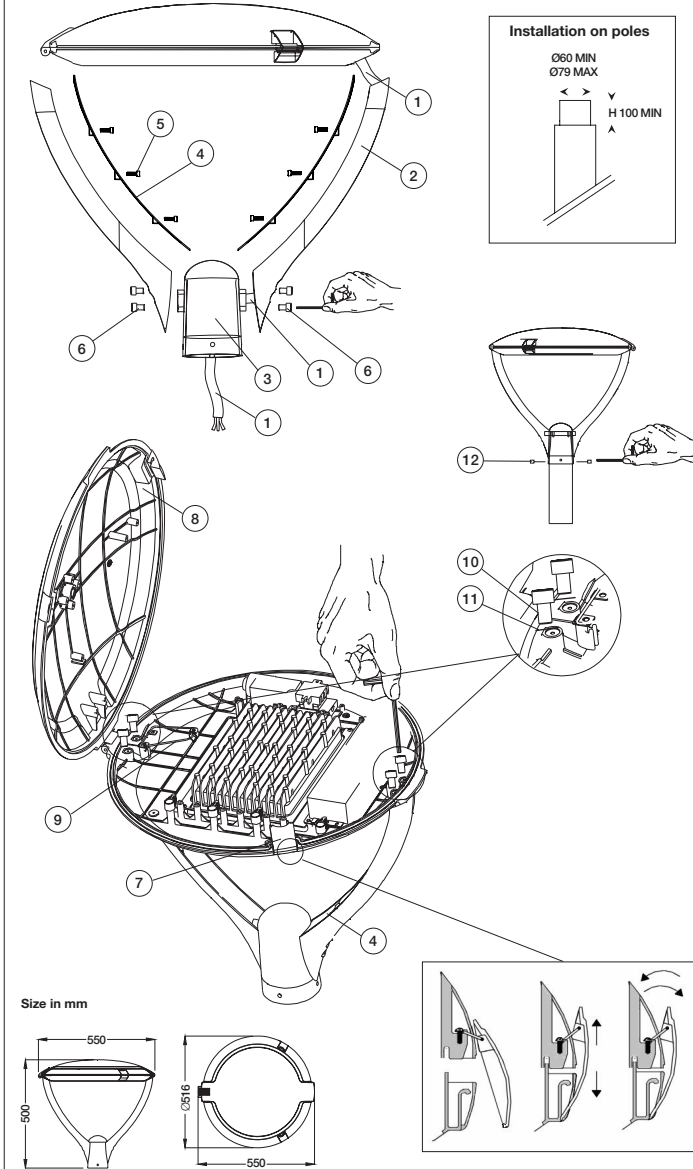
INSTALLATION INSTRUCTIONS (SPAN-WIRE):

1. Insert the supply cable (1) out of the luminaire first into the joint (2) and then into the span-wire adaptor (3).
2. Unhook the closing clips (4), lift the luminaire cap (5) and use the relevant spring (6) to keep it open.
3. Place the span wire adaptor (3) on the luminaire and tighten the screws (9), apply 6 Nm
4. Release the luminaire's cap (5) and close the fitting by using the relevant closing clips (4).
5. Connect the luminaire to the suspension cable and tighten the screws (8).
- CAUTION:** In case of directional lighting optics, the roadside is the one indicated by the arrow drawn on the lenses.
6. If necessary, set the screws' tightness (7).
7. Connect the luminaire to the main supply by using a watertight connection and by respecting the polarities and the luminaire insulation class.



INSTALLATION INSTRUCTIONS (HEAD-POLE):

1. Insert the supply cable (1) out of the luminaire in the relevant arm guides (2) and then in the pole-top adaptor (3).
2. Secure the bracket's covering carter (4) by tightening the screws (5).
3. Insert the two brackets (2) on the pole-top adaptor (3) by tightening the screws (6).
4. Unhook the closing clips (7), lift the luminaire cap (8) and use the relevant spring (9) to keep it open.
5. Place the luminaire on the assembled pole-top adaptor, tighten the screws (10) and place the gaskets (11) in between: apply 6 Nm
6. Release the luminaire's cap (8) and close the fitting by using the relevant closing clips (7).
7. Connect to the main supply by using a watertight connection and by respecting the polarities and the luminaire insulation class.
8. Place the luminaire on the pole and tighten the dowels (12).
- CAUTION:** In case of directional lighting optics, orient the luminaire in the direction of the arrow drawn on the lenses, indicating the road side.



INSTALLATION INSTRUCTIONS (PASTORAL BRACKET):

1. Insert the supply cable (1) out of the luminaire first in the joint with the gasket (2) with gasket (11) and then into the arm connector (3).
2. Assemble the arm connector (2) and (3) by tightening the screw (4) and then set the luminaire in the desired tilting angle.
3. Unhook the closing clips (5), lift the luminaire cap (6) and keep it in position though the relevant blocking spring (7).
4. Place the assembled arm adaptor (2+3) over the luminaire's cap (6) and place the gasket in between; then tighten the screws (8) and apply 6 Nm
- CAUTION:** The safety-screw hole must be oriented in the direction of the arrow drawn on the optics.
5. Release the luminaire's cap (6) and close the fitting by using the relevant closing clips (7).
6. Connect to the main supply by using a watertight connection and by respecting the polarities and the luminaire insulation class.
7. Place the luminaire on the pole; tighten the dowels (9) and the safety screw (10). To drill a hole in the pole, see pict. 1.
- CAUTION:** In case of directional lighting optics, orient the luminaire in the direction of the arrow drawn on the lenses, indicating the road side.

